



Propane
Portable Heaters
OPERATOR'S MANUAL
MH-0060-LM10
MH-0150-LM10
MH-0150-LMT0



CAUTION

**RISK OF INJURY! READ ENTIRE MANUAL BEFORE OPERATING!
THIS MANUAL IS AN IMPORTANT PART OF THE PORTABLE HEATER
AND MUST REMAIN WITH THIS UNIT!**



247218

MH-0060-LM10, MH-0150-LM10 : USA & CANADA

MH-0150-LMT0 : USA ONLY

©Copyright 2009, Mi-T-M Corporation®

37-1063-E/F/S-071113

TABLE OF CONTENTS

INTRODUCTION.....	3
IMPORTANT!	3
IMPORTANT SAFETY INSTRUCTIONS.....	4
PORTABLE HEATER FEATURES.....	9
PRODUCT FEATURES	9
PROPANE INFORMATION.....	9
PORTABLE HEATER SPECIFICATIONS.....	10
GENERAL SAFETY INFORMATION	11
IMPORTANT SAFETY INFORMATION.....	11
REFILLING THE LP CYLINDER.....	13
OPERATION.....	13
CHECKING FOR LEAKS	14
VENTILATION	14
LIGHTING INSTRUCTIONS.....	14
EXTENSION CORD WIRE REQUIREMENTS.....	14
SHUTDOWN INSTRUCTIONS.....	15
TEST FIRING THE HEATER.....	15
STORAGE.....	15
MAINTENANCE	16
TROUBLESHOOTING	17
STATEMENT OF WARRANTY.....	18

⚠ GENERAL HAZARD WARNING: FAILURE TO COMPLY WITH THE PRECAUTIONS AND INSTRUCTIONS PROVIDED WITH THIS HEATER, CAN RESULT IN DEATH, OR SERIOUS BODILY INJURY AND PROPERTY LOSS OR DAMAGE FROM HAZARDS OF FIRE, EXPLOSION, BURN, ASPHYXIATION, CARBON MONOXIDE POISONING, AND / OR ELECTRICAL SHOCK.

ONLY PERSONS WHO CAN UNDERSTAND AND FOLLOW THE INSTRUCTIONS SHOULD USE OR SERVICE THIS HEATER.

IF YOU NEED ASSISTANCE OR HEATER INFORMATION SUCH AS AN INSTRUCTIONS MANUAL, LABEL, ETC. CONTACT THE MANUFACTURER.

⚠ WARNING: FIRE, BURN, INHALATION, AND EXPLOSION HAZARD. KEEP SOLID COMBUSTIBLES, SUCH AS BUILDING MATERIALS, PAPER OR CARDBOARD, A SAFE DISTANCE AWAY FROM THE HEATER AS RECOMMENDED BY THE INSTRUCTIONS. NEVER USE THE HEATER IN SPACES WHICH DO OR MAY CONTAIN VOLATILE OR AIRBORNE COMBUSTIBLES, OR PRODUCTS SUCH AS GASOLINE, SOLVENTS, PAINT THINNER, DUST PARTICLES OR UNKNOWN CHEMICALS.

⚠ WARNING: NOT FOR HOME OR RECREATIONAL VEHICLE USE.

⚠ WARNING
Warning: This product contains lead, a chemical known to the State of California to cause birth defects or other reproductive harm.
Wash your hands after handling this product.

⚠ WARNING
This product contains one or more chemicals known to the State of California to cause cancer and birth defects or other reproductive harm.

INTRODUCTION

Congratulations on the purchase of your new Mi-T-M® Portable Heater! You can be assured your Mi-T-M® Portable Heater was constructed with the highest level of precision and accuracy. Each component has been rigorously tested by technicians to ensure the quality, endurance and performance of this heater.

This operator's manual was compiled for your benefit. By reading and following the simple safety, installation and operation, maintenance and troubleshooting steps described in this manual, you will receive years of troublefree operation from your new Portable Heater. The contents of this manual are based on the latest product information available at the time of publication. The Manufacturer reserves the right to make changes in price, color, materials equipment, specifications or models at any time without notice.



IMPORTANT!

A "DANGER, WARNING or CAUTION" safety warning will be surrounded by a "SAFETY ALERT BOX". This box is used to designate and emphasize Safety Warnings that must be followed when operating this heater. Accompanying the safety warnings are "Signal Words" which designate the degree or level of hazard seriousness. The "Signal Words" used in this manual are as follows:

DANGER: INDICATES AN IMMINENTLY HAZARDOUS SITUATION WHICH, IF NOT AVOIDED, WILL RESULT IN DEATH OR SERIOUS INJURY.

WARNING: INDICATES A POTENTIALLY HAZARDOUS SITUATION WHICH, IF NOT AVOIDED, COULD RESULT IN DEATH OR SERIOUS INJURY.

CAUTION: INDICATES A POTENTIALLY HAZARDOUS SITUATION WHICH, IF NOT AVOIDED MAY RESULT IN MINOR OR MODERATE INJURY OR DAMAGE TO THE HEATER.

The symbols set below are "Safety Alert Symbols". These symbols are used to call attention to items or procedures that could be dangerous to you or other persons using this equipment.



ALWAYS PROVIDE A COPY OF THIS MANUAL TO ANYONE USING THIS EQUIPMENT. READ ALL INSTRUCTIONS IN THIS MANUAL AND ANY INSTRUCTIONS SUPPLIED BY MANUFACTURERS OF SUPPORTING EQUIPMENT BEFORE OPERATING THE PORTABLE HEATER AND ESPECIALLY POINT OUT THE "SAFETY WARNINGS" TO PREVENT THE POSSIBILITY OF PERSONAL INJURY TO THE OPERATOR.

Once the unit has been uncrated, immediately write in the serial number of your unit in the space provided below.

SERIAL NUMBER _____

Inspect for signs of obvious or concealed freight damage. If damage does exist, file a claim with the transportation company immediately. Be sure that all damaged parts are replaced and that the mechanical and electrical problems are corrected prior to operation of the unit. If you require service, contact Mi-T-M® Customer Service.

Mi-T-M® Corporation, 8650 Enterprise Drive, Peosta, IA 52068
563-556-7484 / 800-553-9053 / Fax 563-556-1235
Monday - Friday 8:00 a.m. - 5:00 p.m. CST

Please have the following information available for all service calls:



1. Model Number
2. Serial Number
3. Date and Place of Purchase

IMPORTANT SAFETY INSTRUCTIONS



READ ALL SAFETY WARNINGS BEFORE USING PORTABLE HEATER





Hazard	Potential Consequence	Prevention
<p>RISK OF ELECTRIC SHOCK OR ELECTROCUTION</p> 	<p>Serious injury or death could occur if the portable heater is not properly grounded. Your heater is powered by electricity and may cause electric shock or electrocution if not used properly.</p> <p>Electrical shock may occur if portable heater is not operated properly.</p> <p>Serious injury or death may occur if electrical repairs are attempted by unqualified persons.</p>	<p>Installation of this unit, including all electrical connections, must comply with all local, state and national codes.</p> <p>This product must be grounded. Connect to a GFCI circuit breaker when available. If the unit should malfunction or breakdown, grounding provides a path of least resistance for electric current to reduce the risk of electric shock. Do not ground to a gas supply line.</p> <p>Improper connection of the equipment-grounding conductor can result in a risk of electrocution. Check with a qualified electrician or service personnel if you are in doubt as to whether the system is properly grounded.</p> <p>Always be certain the unit is receiving proper voltage. Specified on the model plate of the heater. Use only a three-prong, grounded outlet and extension cord.</p> <p>Keep all connections dry and install the heater so that it is not directly exposed to water spray, rain, dripping water or wind.</p> <p>Any electrical wiring or repairs performed on this heater should be done by Authorized Service Personnel in accordance with National and Local electrical codes.</p> <p>Always unplug the heater when not in use.</p>
<p>RISK OF BURNS</p> 	<p>Serious injury could occur from touching exposed metal parts. These areas can remain hot for some time after the heater is turned off.</p>	<p>Never allow any part of your body or other materials to make contact with any exposed metal parts on the heater.</p>




NEVER LEAVE HEATER UNATTENDED WHILE BURNING, CONNECTED TO A POWER SOURCE, OR WHILE CONNECTED TO A FUEL SOURCE

IMPORTANT SAFETY INSTRUCTIONS

Hazard	Potential Consequence	Prevention
<p>RISK OF EXPLOSION OR FIRE</p>  	<p>Serious injury or death may occur from normal electrical sparks in motor and pressure switch</p> <p>Serious injury may occur if the heater air inlet or outlet is blocked.</p> <p>Serious injury or death may occur if improper fuels are used.</p> <p>Serious injury may occur if heater is not placed on level surface.</p>	<p>Always operate heater in a well ventilated area free of flammable vapors, combustible dust, gases or other combustible materials.</p> <p>Never place objects in front of air inlet (rear) or air outlet (front) of heater. Never use duct work in front or at rear of heater. Keep all combustible material away from this heater.</p> <p>The propane (LP) gas pressure regulator and hose assembly supplied with the heater must be used without alteration</p> <p>This heater is EXTREMELY HOT while in operation.</p> <p>Bulk fuel storage should be a minimum of 25 ft. from heaters, torches, portable generators, or other sources of ignition. All fuel storage should be in accordance with federal, state, or local authorities having jurisdiction.</p> <p>Never move or handle heater while still hot.</p> <p>If equipped with a thermostat, the heater may start at any time.</p> <p>Always locate heater on a stable and level surface.</p> <p>Always keep away from children and animals.</p>

⚠ NEVER LEAVE HEATER UNATTENDED WHILE BURNING, CONNECTED TO A POWER SOURCE, OR WHILE CONNECTED TO A FUEL SOURCE

IMPORTANT SAFETY INSTRUCTIONS

Hazard	Potential Consequence	Prevention
<p>RISK TO BREATHING</p> 	<p>Serious injury or death could occur from failure to provide proper ventilation according to this manual.</p>	<p>This is a direct-fired, forced heater. It is primarily intended for use for temporary heating of buildings under construction, alteration or repair. Direct-fired means that all of the combustion products of the heater enter the heated space. This appliance does produce small amounts of carbon monoxide. Carbon monoxide is toxic. Humans can tolerate small amounts of carbon monoxide, and precautions should be taken to provide proper ventilation.</p> <p>Early signs of carbon monoxide poisoning resemble the flu. Symptoms of improper ventilation are: * headache * dizziness * burning of the nose and eyes * nausea * dry mouth * sore throat</p> <p>Use this heater only in well ventilated areas! Provide at least a three square foot (2,800 sq cm) opening of outside air for every 100,000 BTU/hr of heater rating.</p> <p>People with breathing problems should consult a physician before using the heater.</p> <p>Carbon Monoxide Poisoning: Early signs of carbon monoxide poisoning resemble flu-like symptoms such as headaches, dizziness, and/or nausea. If you have these symptoms, your heater may not be working properly.</p> <p>Get fresh air at once! Have the heater serviced. Some people are more affected by carbon monoxide than others. These include pregnant women, those with heart or lung problems, anemia, or those under the influence of alcohol, or at high altitudes.</p> <p>Never use this heater in living or sleeping areas.</p> <p>This is an unvented portable heater. It uses air (oxygen) from the area which it is used. Ample combustion and ventilation must be provided.</p>

⚠ NEVER LEAVE HEATER UNATTENDED WHILE BURNING, CONNECTED TO A POWER SOURCE, OR WHILE CONNECTED TO A FUEL SOURCE

IMPORTANT SAFETY INSTRUCTIONS

! FIRE, BURN, INHALATION, AND EXPLOSION HAZARD. KEEP COMBUSTIBLES, SUCH AS BUILDING MATERIALS, PAPER OR CARDBOARD, A SAFE DISTANCE AWAY FROM THE HEATER AS RECOMMENDED BY THESE INSTRUCTIONS. NEVER USE THE HEATER IN SPACES WHICH CONTAIN PRODUCTS SUCH AS GASOLINE, SOLVENTS, PAINT THINNERS, DUST PARTICLES, VOLATILE OR AIRBORNE COMBUSTIBLES, OR ANY UNKNOWN CHEMICALS. THIS IS AN UNVENTED PORTABLE HEATER. IT USES AIR (OXYGEN) FROM THE AREA IN WHICH IT IS USED. ADEQUATE COMBUSTION AND VENTILATION AIR MUST BE PROVIDED. REFER TO VENTILATION.

! WARNING: IF THE INFORMATION IN THIS MANUAL IS NOT FOLLOWED EXACTLY, A FIRE OR EXPLOSION MAY RESULT CAUSING PROPERTY DAMAGE, PERSONAL INJURY OR LOSS OF LIFE.

DO NOT STORE OR USE GASOLINE OR OTHER FLAMMABLE VAPORS AND LIQUIDS IN THE VICINITY OF THIS OR ANY OTHER APPLIANCE.

AN LP CYLINDER NOT CONNECTED FOR USE SHALL NOT BE STORED IN THE VICINITY OF THIS OR ANY OTHER APPLIANCE.

WHAT TO DO IF THE SMELL OF GAS IS PRESENT:

DO NOT attempt to light heater

Extinguish any open flame

Shut off gas to heater

If odor continues, contact your local gas supplier or fire department.

Do not touch any electric switch, do not use any phone in your building

Immediately call your gas supplier from a neighbors phone. Follow the gas suppliers instructions

If you can not reach your gas supplier, call the fire department

Service must be done by a qualified service agency or the gas supplier.

! CALIFORNIA RESIDENTS: COMBUSTION BY-PRODUCTS PRODUCED WHEN USING THIS PRODUCT CONTAIN CARBON MONOXIDE, A CHEMICAL KNOWN TO THE STATE OF CALIFORNIA TO CAUSE CANCER AND BIRTH DEFECTS (OR OTHER REPRODUCTIVE HARM). DO NOT OPERATE THIS HEATER UNTIL YOU HAVE READ, AND THOROUGHLY UNDERSTAND THESE SAFETY AND OPERATING INSTRUCTION. FAILURE TO COMPLY WITH THE PRECAUTIONS AND INSTRUCTIONS PROVIDED WITH THIS HEATER CAN RESULT IN DEATH, SERIOUS BODILY INJURY, PROPERTY LOSS OR DAMAGE FROM THE HAZARDS OF FIRE, EXPLOSION, BURNS, ASPHYXIATION OR CARBON MONOXIDE POISONING. ONLY PERSONS WHO CAN READ AND UNDERSTAND THESE INSTRUCTIONS SHOULD USE OR SERVICE THIS HEATER.

! ! SAVE THESE INSTRUCTIONS ! **!**

! NEVER LEAVE HEATER UNATTENDED WHILE BURNING, CONNECTED TO A POWER SOURCE, OR WHILE CONNECTED TO A FUEL SOURCE



**THE FOLLOWING PAGES CONTAIN OPERATING AND
MAINTENANCE INSTRUCTIONS.**

**DO NOT ATTEMPT TO OPERATE THIS PORTABLE HEATER
UNTIL YOU HAVE READ AND UNDERSTOOD ALL SAFETY
PRECAUTIONS AND INSTRUCTIONS LISTED IN THIS MANUAL.**

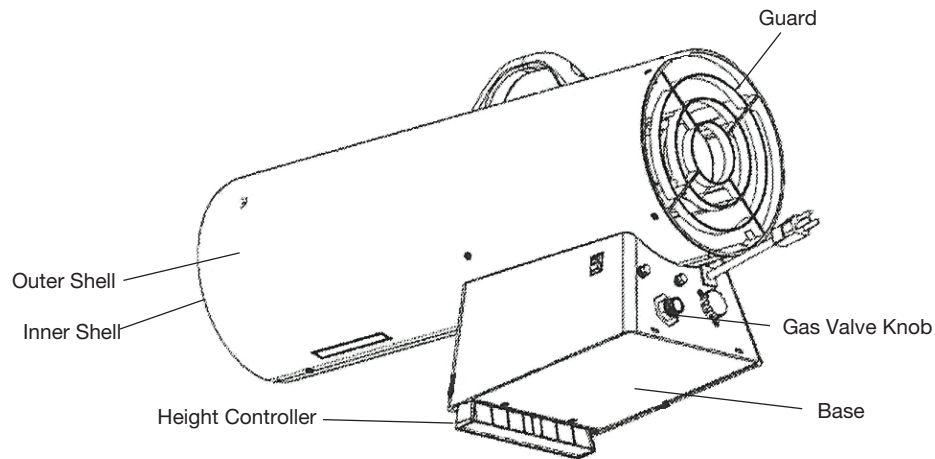
**INCORRECT OPERATION OF THIS UNIT CAN CAUSE SERIOUS
INJURY!!**

**DO NOT ALTER OR MODIFY THIS EQUIPMENT
IN ANY MANNER!**

**NEVER LEAVE HEATER UNATTENDED WHILE BURNING OR
WHILE CONNECTED TO A FUEL SOURCE**

PORTABLE HEATER FEATURES

Model Shown: MH-0150-LM10



PRODUCT FEATURES

- Portable, stable and fully assembled.
- Wind resistant and rain protected.
- Continuous spark ignition or piezo spark ignition.
- 100% safety shut-off system.
- Adjustable input ratings.
- Adjustable Height Controller.

PROPANE INFORMATION

The Propane (LP) cylinder must also be equipped with the following:

- A collar to protect the gas valve.
- A shut-off valve terminating a LP cylinder valve outlet as specified in the American National Standard for Compressed Gas Cylinder Valve Outlets and Inlet Connections.
- A safety relief valve having direct communications with the vapor space of the LP cylinder.
- An arrangement of vapor withdrawal.



NEVER LEAVE HEATER UNATTENDED WHILE BURNING, CONNECTED TO A POWER SOURCE, OR WHILE CONNECTED TO A FUEL SOURCE

PORTABLE HEATER SPECIFICATIONS

Model	MH-0060-LM10	MH-0150-LM10	MH-0150-LMT0
Rating BTU/Hr	40-50-60,000	120,000-150,000	150,000
Fuel Consumption Lbs/Hr	1.9 / 2.3 / 2.8 lbs per hr	5.5 / 6.2 / 6.9 lbs per hr	6.9 lbs per hr
Electrical Input	120V, 60 Hz	120V, 60 Hz	120V, 60 Hz
Manifold Pressure	11" W.C.	8" W.C.	7.8" W.C.
Amps	0.6	0.8	0.8
Size (L x W x H)	18.1" x 7.1" x 13.0"	25.1" x 8.7" x 15.4"	25.1" x 8.7" x 15.4"
Net Weight (Lbs)	11.2	17.6	24.0



NEVER LEAVE HEATER UNATTENDED WHILE BURNING, CONNECTED TO A POWER SOURCE, OR WHILE CONNECTED TO A FUEL SOURCE

GENERAL SAFETY INFORMATION

⚠ WARNING: IMPROPER USE OF THIS HEATER CAN RESULT IN SERIOUS INJURY OR DEATH FROM BURNS, FIRE, EXPLOSION, ELECTRICAL SHOCK AND /OR CARBON MONOXIDE POISONING.

This heater is designed as a construction heater in accordance with ANSI Z83.7-2011/CSA 2.14-2011. Other standards govern the use of fuel gases and heating products for specific uses. Your local authority can advise you about these. The primary purpose of construction heaters is to provide temporary heating of buildings under construction, alteration, or repair. Properly used, the heater provides safe economical heating. Products of combustion are vented into the area being heated.

⚠ WARNING: NOT FOR USE WITH DUCTWORK.

⚠ WARNING: NOT FOR HOME OR RECREATIONAL VEHICLE USE. THE HOSE ASSEMBLY SHALL BE PROTECTED FROM TRAFFIC, BUILDING MATERIAL AND CONTACT WITH HOT SURFACES BOTH DURING USE AND WHILE IN STORAGE.

IMPORTANT: Read this User's Manual carefully and completely before attempting to operate or service this heater. Improper use of the heater can cause serious injury or death from fire, explosion and carbon monoxide poisoning.

Every possible circumstance that may involve a hazard cannot be anticipated. The warnings in this manual and attached to the unit are therefore not all-inclusive. If a procedure, work method or operating technique not specifically recommended by the manufacturer is used, you must be sure it is safe for you and others. You should also insure that equipment will not be damaged or made unsafe by the operating or maintenance method you choose. **CHECK WITH YOUR LOCAL FIRE SAFETY AUTHORITY IF YOU HAVE ANY QUESTIONS ABOUT APPLICATIONS.** This heater is designed and approved for use as a construction heater under ANSI Z83.7-2011/CSA 2.14-2011.

Other standards govern the use of fuel gases and heat producing products in specific applications. Your local authority can advise you of these.

You must provide the propane gas and cylinder(s). Use this heater only with a propane vapor withdrawal supply system. Refer to Chapter 5 of the Standard for Storage and Handling of Liquefied Petroleum Gas , ANSI/NFPA 58. Your local library or fire department will have this booklet.

IMPORTANT SAFETY INFORMATION

1. Children should be kept away.
2. Always maintain proper clearance from combustible materials.
3. Minimum clearance should be: Sides - 24" Top - 36" Front - 72"
4. Heater must be placed on level and solid footing.
5. Never place anything, including clothes or other flammable items on heater.
6. Do not modify heater, or operate a heater that has been modified.
7. Adequate clearance for accessibility, combustion and ventilation (air supply) must be maintained at all times when heater is operating.
8. Service and repair should be performed by a qualified service person. The heater should be inspected before each use, and at least annually by a qualified person. More frequent cleaning may be required as necessary. Do not service heater while hot or operating.
9. Never connect heater to an unregulated gas supply.
10. Use only the electrical/power cord specified. Electrical and grounding connection must comply with National Electrical Code - ANSI/NFPA 70 (USA) and CSA C22.1 Canadian Electrical Code, Part 1 (Canada).
11. To prevent injury, always wear gloves when handling heater. Never handle an operating or hot heater, as severe burns may result.
12. Use heater in accordance with all local codes. In the absence of local codes, refer to The National Fuel Code, ANSI Z223.1

⚠ NEVER LEAVE HEATER UNATTENDED WHILE BURNING, CONNECTED TO A POWER SOURCE, OR WHILE CONNECTED TO A FUEL SOURCE

GENERAL SAFETY INFORMATION

13. This heater is shipped from the factory for use with LP (propane) gas only. Do not convert to any other gas. Installation must conform to local codes, or in their absence, with the standard for the Storage and Handling of Liquefied Petroleum Gases ANSI/NFPA 58.
14. Use only the regulator and hose assembly provided with this heater. Inspect the regulator/hose assembly prior to each use of the heater. If there is excessive abrasion or wear, or if the hose is cut, replace it with the proper assembly shown in the parts list, prior to using the heater.
15. Gas supply connections should be checked by using a 50/50 soap and water solution. Never use a flame to check for gas leaks.
16. Locate LP cylinder at least 6 feet from the heater, and do not direct heater discharge towards the LP cylinder unless it is at least 20 feet from the heater.
17. The electrical connection and grounding must comply with the National Electrical Code, ANSI/NFPA 70. Use only a properly grounded three (3) prong receptacle.
18. Do not restrict air inlet or outlet areas of the heater.



**NEVER LEAVE HEATER UNATTENDED WHILE BURNING, CONNECTED TO A POWER SOURCE,
OR WHILE CONNECTED TO A FUEL SOURCE**

OPERATION

REFILLING THE LP CYLINDER

ALL NEW LP CYLINDERS MUST BE PURGED BEFORE THE FIRST FILLING.

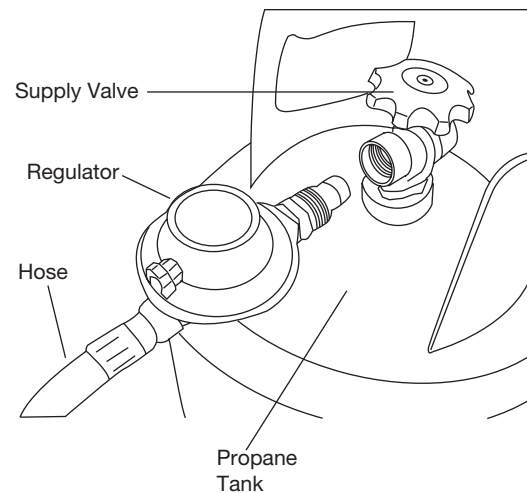
⚠ WARNING: PURGING AND FILLING OF LP CYLINDERS MUST BE PERFORMED BY PERSONNEL WHO HAVE BEEN THOROUGHLY TRAINED IN ACCEPTED LP GAS INDUSTRY PROCEDURES. FAILURE TO FOLLOW THESE INSTRUCTIONS MAY RESULT IN EXPLOSION, FIRE, SEVERE PERSONAL INJURY OR DEATH.

Average Temp. (°F)	MH-0060-LM10 20 or 100 lb cylinder	MH-150-LM10 100 lb. cylinder	MH-150-LMT0 100 lb. cylinder
32°	1	2	2
20°	1	2	2
10°	1	3	3
0°	1	3	3
-10°	2	Use larger tank	Use larger tank
-20°	2	Use larger tank	Use larger tank

1. Turn heater gas valve knob and LP cylinder valve to OFF position.
2. LP cylinder valve equipped with old style fitting has LEFTHANDED THREADS. Turn fitting CLOCKWISE to loosen. Protect this fitting when disconnected from LP cylinder.
3. Have your LP cylinder filled by your local Propane gas supplier.
4. Some LP cylinders have a bleed-off valve. This valve should be inspected for leaks after each filling of the LP cylinder. Turn the valve clockwise to close.
5. Fasten full Propane tank and connect proper fitting to LP cylinder valve by turning COUNTERCLOCKWISE.
6. With heater gas valve knob still in OFF position, turn ON LP cylinder valve and check for leaks with soap solution.

⚠ CAUTION: PROPANE IS SAFE TO USE WHEN PROPERLY HANDLED. CARELESS HANDLING OF THE LP CYLINDER COULD RESULT IN A FIRE AND/OR AN EXPLOSION. THEREFORE:

7. Always keep LP cylinder securely fastened and in an upright position.
8. Avoid tipping the LP cylinder on its side when connected to a regulator, since this may cause damage to the diaphragm in the regulator.
9. Handle valves with care.
10. Never connect an unregulated LP cylinder to a construction heater.
11. Do not subject LP cylinder to excessive heat.
12. Tightly close the gas shutoff valve on the LP cylinder after each use.
13. All fittings must be protected when disconnected from the LP cylinder.
14. Never store an LP cylinder inside a building or in the vicinity of any gas burning appliance.



⚠ CAUTION: THE DISCONNECTED TANK MUST NEVER BE STORED IN A BUILDING, GARAGE OR ANY OTHER ENCLOSED AREA.

15. Do not restrict inlet or outlet of heater. Heater is never to be used with ductwork.

⚠ NEVER LEAVE HEATER UNATTENDED WHILE BURNING, CONNECTED TO A POWER SOURCE, OR WHILE CONNECTED TO A FUEL SOURCE

OPERATION

CHECKING FOR LEAKS

To check for leaks, make up a 50/50 solution of dish soap and water. Apply this solution to all gas connections. If bubbles appear, there is a leak. If a leak is found, turn off the gas supply, and re-connect the leaking connection. If the leak persists after several tries, contact Mi-T-M Customer Service at 800-553-9053.

The installation of this heater must meet all local codes and/or gas utility requirements. In the absence of local codes, the National Fuel Code ANSI Z223.1 should be followed.

The minimum clearances to any combustible construction materials must be maintained at all times.

VENTILATION

Always provide a fresh air opening in the heated space of at least three square feet (2,800 sq. cm.) for each 100,000 BTU/Hr of heater output. For example, a MH-0150-LM10 will require:

- a two-car garage door open 6 inches, or
- a single car garage open 9 inches, or
- two thirty two inch wide windows open 15 inches.

LIGHTING INSTRUCTIONS (MODELS MH-0060-LM10, MH-0150-LM10)

1. Connect power cord to a properly grounded three (3) prong 120V, 60 Hz, extension cord.

EXTENSION CORD WIRE REQUIREMENTS:

- 6 to 10 feet (1.8 to 3 meters) long, use 18 AWG conductor.
- 11 to 100 feet (3.4 to 30.53 meters) long, use 16 AWG conductor.
- 101 to 200 feet (30.8 to 61 meters) long, use 14 AWG conductor.

2. Connect heater to a proper LP cylinder.
3. Turn gas valve clockwise to OFF position.
4. Wait five (5) minutes for any gas to clear. Smell for gas; if you do not smell gas, go to Step 5.
5. Push in and turn gas control knob counterclockwise to LOW/IGN position. This will light the burner. If needed, keep pressing control knob until the burner lights.
6. Keep the valve knob depressed for at least 30 seconds after lighting the burner. After 30 seconds, release valve knob.
7. If burner does not stay lit, repeat lighting procedure.
8. When burner stays lit, turn gas valve knob counterclockwise to desired setting.

LIGHTING INSTRUCTIONS (MODELS MH-0150-LMT0)

The theory of operation for the 150T thermostat is the incoming power is controlled by the thermostat, which uses a resistance temperature detector (RTD) to open and close a circuit to shut off the incoming power to the circuit board. The circuit board controls a solenoid valve to control the gas flow to the nozzle and power to the fan. [This is possible for this heater because it does not use a thermocouple to rectify flame presence. Flame presence is rectified through the igniter.

1. Follow all safety, installation and ventilation instructions in this manual.
2. Position the heater on a stable and level surface, and be sure that no drafts blow into the inlet or outlet of the heater.
3. Plug the power cord of the heater into a three hole grounded extension cord. Be sure that the extension cord is at least 6 feet long, and is UL listed.

Up to 50 feet long, use 18 AWG rated cord.



NEVER LEAVE HEATER UNATTENDED WHILE BURNING, CONNECTED TO A POWER SOURCE, OR WHILE CONNECTED TO A FUEL SOURCE

OPERATION

51 to 100 feet long, use 16 AWG rated cord.

101 to 200 feet long, use 14 AWG rated cord.

4. Following the extension cord requirements, plug the extension cord into a 120 volt/60 hertz, three hole grounded outlet.
5. Open gas supply valve slowly.
6. Rotate on/off switch to the ON position. Set thermostat to desired temperature. Thermostat setting may be too low if heater does not start. Select a higher temperature and start heater.

SHUTDOWN INSTRUCTIONS

To shut off heater:

1. Turn gas valve knob clockwise to OFF position.
2. Turn gas supply OFF by turning LP cylinder valve clockwise to close.
3. Disconnect the power cord.

TEST FIRING THE HEATER

Test fire your construction heater following the lighting instructions applicable to the gas control system employed.

Leak test all gas connections with 50/50 soap and water solution prior to start-up. Soap bubbles indicate a gas leak. DO NOT use a match or flame to test for gas leaks.

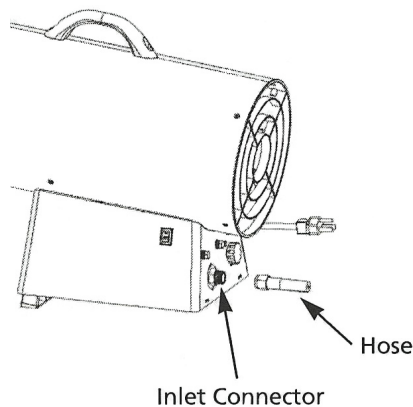
NOTE: Heater surface temperature must be cold before initiating service, cleaning or storage.

STORAGE

Always disconnect the heater from the LP cylinder before putting the heater into storage. If for any reason the heater is to be stored indoors, the tank **MUST** be disconnected from the LP cylinder, and the cylinder stored outdoors in a well-ventilated area, out of the reach of children, and in accordance with the Standard for Storage and Handling of Liquefied Gases, ANSI/NFPA 58 - latest edition. The plastic valve plug or valve cover supplied with the cylinder must be re-installed on the valve to protect the fitting from damage.

⚠ WARNING: NEVER STORE AN LP CYLINDER INSIDE OF A BUILDING, OR NEAR ANY OTHER GAS OR OIL BURNING APPLIANCES.

NOTE: Installation and repair of this heater should be done by a qualified service person.



⚠ NEVER LEAVE HEATER UNATTENDED WHILE BURNING, CONNECTED TO A POWER SOURCE, OR WHILE CONNECTED TO A FUEL SOURCE

MAINTENANCE

MAINTENANCE AND STORAGE

Inspect your heater before each use. Check all connections for leaks, following the procedure outlined in this manual. Check the Regulator Hose for any cracks, breaks or wear. If the hose is damaged replace it with the correct manufacturers part.

After use, always disconnect the heater from the cylinder, and store the heater separately from the tank. Be sure to close the tank valve after use, and before storage.

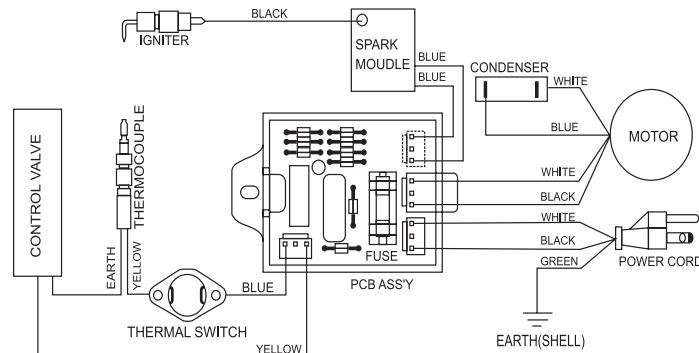
Always store the propane cylinder outdoors, but not in an enclosed area. Never store the cylinder near high heat, direct sunlight or open flames. Never store the cylinder indoors. The cylinder should be stored outdoors in accordance with chapter 5 of the Standard for Storage and Handling of Liquefied Petroleum Gasses (ANSI/INFPA 58).

Always keep your heater clean, inside and out.

Have heater inspected annually by a qualified service technician.

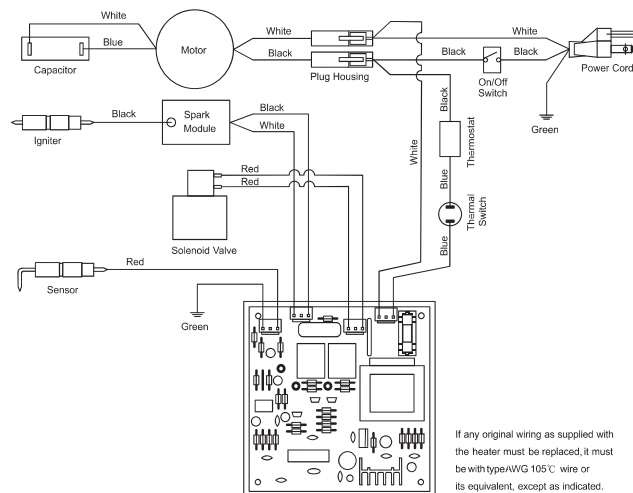
Place the plastic covers over the fittings the heater was supplied with when putting heater away for the season.

Always store the heater in a clean, dry and safe place.



If any original wiring as supplied with the heater must be replaced, it must be with type AWG 105°C wire or its equivalent, except as indicated.

MH-0060-LM10, MH-0150-LM10



If any original wiring as supplied with the heater must be replaced, it must be with type AWG 105°C wire or its equivalent, except as indicated.

MH-0150-LMT0

⚠ NEVER LEAVE HEATER UNATTENDED WHILE BURNING, CONNECTED TO A POWER SOURCE, OR WHILE CONNECTED TO A FUEL SOURCE

TROUBLESHOOTING		
SYMPTOM	PROBABLE CAUSE	REMEDY
Fan does not turn when electricity is connected	<ol style="list-style-type: none"> 1. No electric power to heater 2. Blades of fan in contact with heater housing 3. Fan blades bent 4. Fan motor defective 	<ol style="list-style-type: none"> 1. Check current at outlet. If voltage is correct, inspect extension and power cords for cuts, frays or breaks 2. Check housing for damage. Be sure there are no dents in the housing obstructing the fan 3. Straighten all fan blades 4. Replace Motor Assembly
Heater will not fire (ignite)	<ol style="list-style-type: none"> 1. No spark at module 2. Incorrect spark gap 3. Corroded electrode 	<ol style="list-style-type: none"> 1. Inspect module wire. Re-attach, or tighten if loose. Inspect Spark module, and replace if necessary. Inspect all other electrical components 2. Set plug gap to 0.16" (4mm) 3. Replace spark plug (Multi-Bracket Assembly)
Heater stops running by itself	<ol style="list-style-type: none"> 1. Temperature inside heater is too high, causing thermal switch to shut down operation 2. Damaged control valve 3. Dust or debris accumulated in heater 	<ol style="list-style-type: none"> 1. If heater input or output is restricted, the inside temperature can become too hot. Keep the areas in front and behind heater clear of obstructions 2. Replace control valve (Valve Assembly) 3. Clean inside of heater



NEVER LEAVE HEATER UNATTENDED WHILE BURNING, CONNECTED TO A POWER SOURCE, OR WHILE CONNECTED TO A FUEL SOURCE



STATEMENT OF WARRANTY

Mi-T-M warrants this heater to the original retail purchaser only, to be free from defects in material and workmanship for a period of

one (1) year from the date of initial purchase.

This product must be properly installed, maintained and operated in accordance with the instructions provided. Mi-T-M requires reasonable proof of your date of purchase from an authorized retailer or distributor. Therefore, you should keep your sales slip, invoice, or cancelled check from the original purchase.

EXCLUSIONS

1. This Limited Warranty shall be limited to the repair or replacement of parts, which prove defective Mi-T-M shall determine at its reasonable discretion. This warranty does not include wear items: filters, vanes, nozzles, and rotors.
2. This Limited Warranty does not cover any failures or operating difficulties due to normal wear and tear, accident, abuse, misuse, alteration, misapplication, improper installation or improper maintenance and service by you or any third party. Failure to perform normal and routine maintenance on the heater, shipping damage, damage related to insects, birds, or animals of any kind, and damage due to weather conditions are also not covered.
3. In addition, the Limited Warranty does not cover damage to the finish, such as scratches, dents, discoloration, rust or other weather damage, after purchase.

All transportation costs for the return of the damaged product or parts will be the responsibility of the purchaser. Upon receipt of damaged item, Mi-T-M will examine the item and determine if defective. Mi-T-M will repair or replace and return the item, freight pre-paid. If Mi-T-M finds the item to be in normal operating condition, or not defective, the item will be returned freight collect.

This Limited Warranty is in lieu of all other express warranties. Mi-T-M disclaims all warranties for products that are purchased from sellers other than authorized retailers or distributors.

AFTER THE PERIOD OF THE ONE (1) YEAR EXPRESS WARRANTY EXPIRES, MI-T-M DISCLAIMS ANY AND ALL IMPLIED WARRANTIES, INCLUDING WITHOUT LIMITATION THE IMPLIED WARRANTIES OF MERCHANTABILITY AND FITNESS FOR A PARTICULAR APPLICATION. FURTHER, MI-T-M SHALL HAVE NO LIABILITY WHATSOEVER TO PURCHASER OR ANY THIRD PARTY FOR ANY SPECIAL, INDIRECT, PUNITIVE, INCIDENTAL, OR CONSEQUENTIAL DAMAGES.

Mi-T-M assumes no responsibility for any defects caused by third parties. This Limited Warranty gives the purchaser specific legal rights; a purchaser may have other rights depending upon where he or she lives. Some states do not allow the exclusion or limitation of special, incidental or consequential damages, or limitations on how long a warranty lasts, so the above exclusion and limitations may not apply to you. Mi-T-M does not authorize any person or company to assume for it any other obligation or liability in connection with the sale, installation, use, removal, return, or replacement of its equipment, and no such representations are binding on Mi-T-M. Always be sure to specify model number and serial number when making any claim with Mi-T-M.

For Service or Warranty Consideration, contact
Mi-T-M® Corporation, 8650 Enterprise Drive, Peosta, IA 52068
563-556-7484 / 800-553-9053 / Fax 563-556-1235
Monday - Friday 8:00 a.m. - 5:00 p.m. CST

TABLE OF CONTENTS

INTRODUCTION	20
IMPORTANT!.....	20
IMPORTANTES CONSIGNES DE SECURITE	21
CARACTÉRISTIQUES	26
CARACTÉRISTIQUES DU PRODUIT	26
INFORMATIONS SUR LE PROPANE.....	26
SPÉCIFICATIONS	27
INFORMATIONS GÉNÉRALES SUR LA SÉCURITÉ.....	28
FONCTIONNEMENT.....	30
ENTRETIEN.....	33
DÉPANNAGE	34
GARANTIE LIMITÉE	35

WARNING

AVERTISSEMENT: Ce produit contient du plomb, un produit chimique qui est connu par l'état de Californie comme étant la cause de cancer et de malformations congénitales ou autres effets nocifs de reproduction.

Laver vos mains après avoir manipulé ce produit.

AVERTISSEMENT

Ce produit contient un ou plusieurs produits chimiques qui sont connus par l'état de Californie comme étant la cause de cancer, de défauts de naissance et d'autres problèmes reproductifs.

INTRODUCTION

Félicitations de l'achat de votre nouveau le radiateur! Vous pouvez être assuré que votre nouveau le radiateur a été construit avec le plus haut niveau de précision et de fiabilité. Chaque composant a été rigoureusement testé par des techniciens pour assurer la qualité, la durabilité et la performance de le radiateur.

Ce manuel opérateur a été dressé pour que vous en retiriez le meilleur parti. Par la lecture et l'application des mesures simples de sécurité, d'installation et d'opération, d'entretien et de dépannage décrites dans ce manuel, votre nouveau le radiateur fonctionnera sans faille pendant de nombreuses années. Le contenu de ce manuel est basé sur la dernière information disponible du produit au moment de la publication. Mi-T-M® se réserve le droit d'effectuer des changements de prix, de couleur, de matériaux, d'équipement, de caractéristiques ou de modèles à tout moment sans communication préalable.



IMPORTANT!

Les avertissements de sécurité "DANGER, AVERTISSEMENT ou ATTENTION" seront entourés par un "ENCADRE ALERTE SECURITE". Cet encadré est utilisé pour indiquer et souligner les avertissements de sécurité qui doivent être suivis en actionnant ce compresseur d'air. En plus des avertissements de sécurité, des "mots d'alerte" sont utilisés pour indiquer le degré ou niveau de risque. Les "mots d'alerte" utilisés dans ce manuel sont comme suit:

DANGER: INDIQUE UNE SITUATION AU DANGER IMMINENT QUI, SI ELLE N'EST PAS ÉVITÉE, ENTRAÎNERA LA MORT OU DES BLESSURES GRAVES.

AVERTISSEMENT: INDIQUE UNE SITUATION POTENTIELLEMENT DANGEREUSE QUI, SI ELLE N'EST PAS ÉVITÉE, POURRAIT ENTRAÎNER LA MORT OU DES BLESSURES GRAVES.

ATTENTION: INDIQUE UNE SITUATION POTENTIELLEMENT DANGEREUSE, QUI, SI ELLE N'EST PAS ÉVITÉE, PEUT ENTRAÎNER DES BLESSURES MINEURES OU PEU GRAVES ET DES DÉGATS AU COMPRESSEUR.



Les symboles placés à gauche de ce paragraphe sont des "symboles d'alerte de sécurité". Ces symboles sont utilisés pour souligner les points ou les procédures qui pourraient être dangereuses pour vous ou tout autre personne utilisant cet équipement.

Fournissez toujours une copie de ce manuel à toute personne utilisant cet équipement. Lisez toutes les instructions dans ce manuel et toutes instructions fournies par les fabricants d'équipement de support avant d'utiliser ce compresseur d'air et attirer spécialement l'attention aux "Avertissements de Sécurité" pour éviter la possibilité de blessures pour l'utilisateur.

Une fois l'appareil déballé, écrivez immédiatement le numéro de série de votre appareil dans l'espace ci-dessous.

NUMERO DE SERIE _____



Assurez-vous qu'il n'y a pas de signes de dommages évidents ou cachés suite au transport. En cas de dommage, remplissez immédiatement une réclamation avec la compagnie de transport. Assurez-vous que toutes les pièces endommagées sont remplacées et les problèmes mécaniques et électriques corrigés avant l'utilisation de l'appareil. Si vous avez besoin d'assistance, entrez en contact avec votre service clientèle.

Mi-T-M® Corporation, 8650 Enterprise Drive, Peosta, IA 52068
563-556-7484 / 800-553-9053 / Fax 563-556-1235
du lundi au vendredi de 8h00 à 17h, CST (heure centrale)

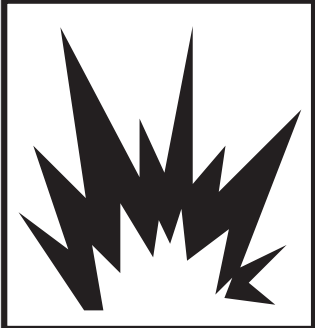

Veuillez avoir les informations suivantes disponibles pour toute intervention:

1. Numéro de modèle
2. Numéro de série
3. Date et lieu d'achat

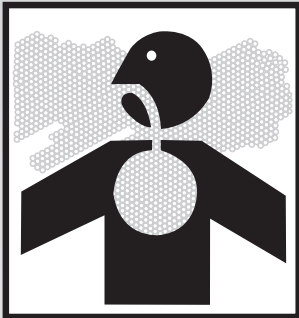
IMPORTANTES CONSIGNES DE SECURITE

Hazard	Potential Consequence	Prevention
<p>RISQUE DE DÉCHARGE ÉLECTRIQUE OU D'ÉLECTROCUTION</p> 	<p>Des étincelles électriques dans le moteur et l'interrupteur de pression peuvent être la cause de blessures graves ou la mort.</p> <p>Une décharge électrique peut se produire si le compresseur n'est pas utilisé correctement.</p> <p>Des risques de mort ou de blessures graves peuvent survenir si des réparations électriques sont effectuées par des personnes inexpérimentées.</p>	<p>tous les branchements électriques, doivent respecter tous les codes locaux et nationaux.</p> <p>Cet appareil doit être mis à la terre. Connecter le à un disjoncteur mis à la terre si il y en a un de disponible. Si l'appareil s'avère défectueux ou tombe en panne, la mise à la terre offre un trajet de moindre résistance au courant électrique pour réduire le risque de décharges électriques. Ne pas mettre à la terre à une ligne d'alimentation de gaz.</p> <p>Une connexion inappropriée du conducteur de mise à la terre d'équipement peut provoquer un risque d'électrocution. Consulter un électricien qualifié en cas de doute sur la mise à la terre du système.</p> <p>Soyez toujours certain que l'appareil reçoit un voltage correct (+/-5% du voltage inscrit sur la plaque du fabricant). Avant de faire des raccordements électriques, soyez certain que les interrupteurs sont en position d'ARRET (OFF).</p> <p>Garder tous les branchements au sec et au dessus du sol. Ne jamais faire fonctionner le compresseur dans des conditions humides.</p> <p>Toutes réparations ou tout câblage électrique effectués sur le compresseur doivent être effectués par le personnel d'un centre de service autorisé qualifié conformément aux codes d'électricité locaux et nationaux.</p>
<p>RISQUE DE BRULURES</p> 	<p>Le fait de toucher les surfaces de métal exposées peut causer de graves blessure. Ces surfaces peuvent rester chaudes pendant un certain temps après l'arrêt du chauffage.</p>	<p>Le fait de toucher les surfaces de métal exposées peut causer de graves blessure. Ces surfaces peuvent rester chaudes pendant un certain temps après l'arrêt du chauffage.</p>

IMPORTANTES CONSIGNES DE SECURITE

Hazard	Potential Consequence	Prevention
<p>RISQUES D'INCENDIE ET D'EXPLOSION</p>  	<p>Des étincelles électriques dans le moteur et l'interrupteur de pression peuvent être la cause de blessures graves ou la mort.</p> <p>Des blessures graves peuvent survenir si la prise ou la sortie d'air du chauffage est obstruée..</p> <p>Des blessures graves, voire la mort, peuvent survenir si le bon carburant n'est pas utilisé ou si le chauffage fonctionne durant le ravitaillement.</p> <p>Toujours placer le chauffage sur une surface stable et plane à l'écart des enfants et des animaux.</p>	<p>N'utiliser ce chauffage que dans un endroit bien ventilé libre de vapeurs inflammables, de poussière combustible ou de toute autre matière combustible.</p> <p>Ne jamais placer d'objets devant la prise d'air (à l'arrière) ou la sortie d'air(à l'avant). N'utiliser jamais de système de canalisation d'air à l'avant ou à l'arrière du chauffage. Eloigner du chauffage toutes les matières combustibles.</p> <p>Le régulateur de pression de gaz propane/GPL et l'assemblage du tuyau fournis avec l'appareil de chauffage doivent être utilisés sans modifications.</p> <p>L'entreposage de carburant en gros doit être maintenu à une distance d'un minimum de 25 pieds (7m60) des chauffages, torches, groupes électrogènes portables ou toutes autres sources d'inflammation. Tout entreposage de carburant doit être conforme aux réglementations des autorités locales, d'état ou fédérale ayant juridiction.</p> <p>NE JAMAIS bouger ou manipuler le chauffage lorsqu'il est encore chaud.</p> <p>Le chauffage peut démarrer à tout moment s'il est équipé d'un thermostat.</p> <p>TOUJOURS placer le chauffage sur une surface stable et plane. TOUJOURS maintenir les enfants et les animaux à l'écart du chauffage</p>

IMPORTANTES CONSIGNES DE SECURITE

Hazard	Potential Consequence	Prevention
<p data-bbox="228 258 537 317">RISQUE DE PROBLEME RESPIRATOIRE</p> 	<p data-bbox="621 258 987 411">Des blessures graves, voire la mort peuvent survenir si une bonne ventilation n'est pas fournie selon les consignes de ce manuel.</p>	<p data-bbox="1045 258 1474 772">Ce chauffage est un chauffage au kérosène à air pulsé et à feu direct. Il est principalement conçu pour fournir un chauffage temporaire pour les bâtiments en construction, sous transformations ou en réparations. Chauffage à feu direct signifie que tous les produits de combustion de l'appareil de chauffage entrent dans l'espace chauffé. Cet appareil a une efficacité de combustion de 98 %, mais produit une petite quantité d'oxyde de carbone. L'oxyde de carbone est toxique. Les humains peuvent tolérer de petites quantités d'oxyde de carbone et des précautions doivent être prises pour fournir une ventilation appropriée. Le fait de ne pas fournir une ventilation appropriée selon ce manuel peut aboutir à la mort.</p> <p data-bbox="1045 789 1474 995">Intoxication à l'oxyde de carbone: Les premiers signes de l'intoxication à l'oxyde de carbone ressemblent aux symptômes de la grippe tels que des maux de tête, des étourdissements, et/ou la nausée. Il est possible que votre chauffage ne marche pas correctement si vous éprouvez ces symptômes.</p> <p data-bbox="1045 1012 1474 1188">Risque de pollution de l'air intérieur. Utiliser le radiateur seulement dans un endroit bien ventilé. Fournir une ouverture sur de l'air frais d'au moins 2800 cm² (3 pi²) pour chaque 100 000 BTU/h Fournir de l'air frais supplémentaire si plus d'un radiateur est utilisé.</p> <p data-bbox="1045 1205 1474 1276">Les personnes avec des problèmes de respiration doivent consulter un médecin avant d'utiliser ce chauffage.</p> <p data-bbox="1045 1293 1474 1499">Intoxication à l'oxyde de carbone: Les premiers signes de l'intoxication à l'oxyde de carbone ressemblent aux symptômes de la grippe tels que des maux de tête, des étourdissements, et/ou la nausée. Il est possible que votre chauffage ne marche pas correctement si vous éprouvez ces symptômes.</p> <p data-bbox="1045 1516 1474 1713">Obtenir de l'air frais immédiatement ! Faire entretenir le chauffage. Certaines personnes sont plus atteintes par l'oxyde de carbone que les autres. Ceci inclut les femmes enceintes, les personnes avec des problèmes de cœur ou de poumon, celles sous l'influence d'alcool ou en haute altitude.</p> <p data-bbox="1045 1730 1474 1801">Ne jamais utiliser ce chauffage dans les espaces d'habitation ou dans les pièces où l'on dort.</p> <p data-bbox="1045 1818 1474 1948">Cet appareil est un appareil de chauffage portatif non ventilé. Il utilise l'air (oxygène) de l'endroit où il est utilisé. Il faut fournir une combustion et ventilation suffisante.</p>

IMPORTANTES CONSIGNES DE SECURITE

⚠ RISQUE D'INCENDIE, DE BRÛLURE, D'INHALATION ET D'EXPLOSION. GARDER LES COMBUSTIBLES SOLIDES, COMME LES MATÉRIAUX DE CONSTRUCTION, LE PAPIER OU LE CARTON, À UNE DISTANCE SÉCURITAIRE DU RADIATEUR, SELON LES RECOMMANDATIONS DE CE MANUEL. NE JAMAIS UTILISER LE RADIATEUR DANS DES ENDROITS QUI CONTIENNENT OU POURRAIENT CONTENIR DES MATIÈRES COMBUSTIBLES VOLATILES OU EN SUSPENSION DANS L'AIR, OU ENCORE DES PRODUITS COMME DE L'ESSENCE, DES SOLVANTS, DES DILUANTS À PEINTURE, DES PARTICULES DE POUSSIÈRE OU DES PRODUITS CHIMIQUES INCONNUS..

Si les informations contenues dans ce manuel ne sont pas suivies à la lettre, un incendie ou une explosion peuvent survenir et causer des dommages matériels, des blessures ou la mort.

- Ne pas entreposer ni utiliser d'essence ou d'autres vapeurs ou liquides inflammables à proximité de ce radiateur ou de tout autre appareil.
- Une bouteille de GPL (gaz propane liquide) qui n'est pas raccordée pour être utilisée ne doit pas être entreposée à proximité de cet appareil ou de tout autre appareil.
- QUE FAIRE SI UNE ODEUR DE GAZ EST PRÉSENTE :
- NE PAS tenter d'allumer le radiateur
- Éteindre toute flamme nue
- Couper l'alimentation en gaz vers le radiateur
- Si l'odeur persiste, contacter votre fournisseur de gaz local où le service des incendies.
- Ne toucher à aucun interrupteur électrique et n'utiliser aucun téléphone dans votre édifice.
- Appeler immédiatement votre fournisseur de gaz à partir du téléphone d'un voisin. Suivre les instructions du fournisseur de gaz.
- Si le fournisseur de gaz ne peut être rejoint appeler le service des incendies.
- La réparation doit être effectuée par une agence de service qualifiée ou par le fournisseur de gaz.

⚠ L'ÉTAT DE CALIFORNIE EXIGE D'APPOSER L'AVERTISSEMENT SUIVANT (PROPOSITION 65) : LES SOUS-PRODUITS DE COMBUSTION DÉGAGÉS PAR CET APPAREIL CONTIENNENT DU MONOXYDE DE CARBONE, UN PRODUIT CHIMIQUE REÇU PAR L'ÉTAT DE CALIFORNIE POUR CAUSER LE CANCER ET DES ANOMALIES CONGÉNITALES (OU D'AUTRES EFFETS NOCIFS SUR LA REPRODUCTION).

⚠ NE PAS UTILISER CE RADIATEUR AVANT D'AVOIR LU ET ENTIÈREMENT COMPRIS CES DIRECTIVES DE SÉCURITÉ ET D'UTILISATION. LE FAIT DE NÉGLIGER DE RESPECTER LES PRÉCAUTIONS ET LES INSTRUCTIONS FOURNIES AVEC CE RADIATEUR PEUT ENTRAÎNER LA MORT, DES BLESSURES GRAVES, DES PERTES OU DES DOMMAGES MATÉRIELS SUITE AUX RISQUES D'INCENDIE, D'EXPLOSION, DE BRÛLURES, D'ASPHYXIE OU D'EMPOISONNEMENT AU MONOXYDE DE CARBONE. SEULES DES PERSONNES APTES À LIRE ET À COMPRENDRE CES INSTRUCTIONS DOIVENT UTILISER OU ENTREtenir CE RADIATEUR.



!GARDER CES INSTRUCTIONS!





**LES PAGES SUIVANTES CONTIENNENT LES
CONSIGNES D'UTILISATION ET D'ENTRETIEN.
NE TENTER PAS DE FAIRE FONCTIONNER CE
COMPRESSEUR D'AIR AVANT D'AVOIR LU ET
COMPRIS TOUTES LES PRECAUTIONS ET
CONSIGNES DE SECURITE CONTENUES DANS
CE MANUEL.**

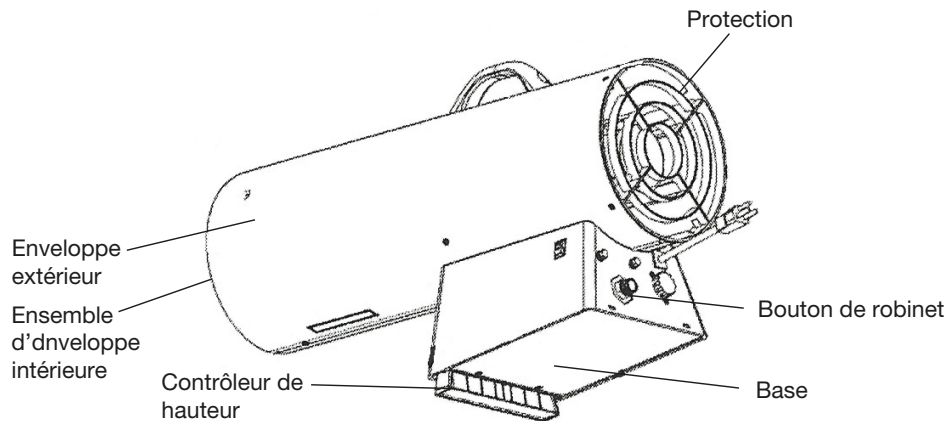
**L'UTILISATION INAPPROPRIEE DE CET
APPAREIL PEUT CAUSER DES BLESSURES
SERIEUSES!!**

**NE PAS ALTERER OU MODIFIER CET
EQUIPEMENT EN AUCUNE MANIERE!**

**AVERTISSEMENT: NE JAMAIS LAISSER L'APPAREIL DE CHAUFFAGE
SANS SURVEILLANCE LORSQU'IL FONCTIONNE OU LORSQU'IL EST
BRANCHÉ À UNE SOURCE D'ALIMENTATION EN CARBURANT OU
D'ÉLECTRICITÉ.**

CARACTÉRISTIQUES

Modèle Illustré: MH-0150-LM10



CARACTÉRISTIQUES DU PRODUIT

- Portable, stable et entièrement assemblé.
- Résistant au vent et protégé contre la pluie.
- Allumage à étincelle continue ou piézo.
- Système de fermeture entièrement sécuritaire.
- Débit calorifique réglable.

INFORMATIONS SUR LE PROPANE

Le réservoir de GPL doit aussi être équipé des accessoires suivants:

- Un collier qui protège le robinet de gaz
- Un robinet d'arrêt au bout de la sortie du robinet de la bouteille de propane, comme spécifié dans les normes américaines pour les sorties et les entrées de robinets d'évacuation pour bouteille de gaz.
- Une soupape de sûreté en communication directe avec l'espace de vapeur du réservoir.
- Un dispositif de retrait de vapeur..

⚠ AVERTISSEMENT: NE JAMAIS LAISSER L'APPAREIL DE CHAUFFAGE SANS SURVEILLANCE LORSQU'IL FONCTIONNE OU LORSQU'IL EST BRANCHÉ À UNE SOURCE D'ALIMENTATION EN CARBURANT OU D'ÉLECTRICITÉ.

SPÉCIFICATIONS

Modèle	MH-0060-LM10	MH-0150-LM10	MH-0150-LMT0
Débit calorifique	40-50-60,000	120,000-150,000	150,000
Consommation de gaz	0,861 a 1,04 a 1,27 L/hr	2,5 / 2,81 / 3,13 L/hr	3,13 L/hr
Entrée électrique	120V, 60 Hz	120V, 60 Hz	120V, 60 Hz
Pression du distributeur	279,4 mm CE	203 mm CE	198,12 mm CE
Ampérage	0,60	0,80	0,80
Dimensions L x lar x H	45,97 x 18,03 x 33,02	63,8 x 22,1 x 39,1	63,8 x 22,1 x 39,1
Poids kg (lb)	5,08 (11,2)	7,98 (17,6)	10,8 (24)

INFORMATIONS GÉNÉRALES SUR LA SÉCURITÉ

⚠ L'UTILISATION INAPPROPRIÉE DE CE RADIATEUR PEUT CAUSER DES BLESSURES GRAVES OU MORTELLES SUITE À DES BRÛLURES, UN INCENDIE, UNE EXPLOSION, UNE DÉCHARGE ÉLECTRIQUE ET/OU UN EMPOISONNEMENT AU MONOXYDE DE CARBONE.

Ce radiateur est conçu pour les sites de construction en conformité avec ANSI Z83.7-2011/CSA 2.14-2011. D'autres normes régissent l'utilisation des gaz combustibles et des produits de chauffage pour des utilisations spécifiques. Les autorités locales peuvent vous informer sur ces dernières. La fonction principale des radiateurs de construction est de fournir un moyen de chauffage temporaire des édifices en construction ou en réparation. Lorsqu'ils sont utilisés correctement, ils permettent de chauffer de manière économique. Les produits de la combustion sont ventilés dans l'aire chauffée.

⚠ AVERTISSEMENT: NE PAS UTILISER AVEC UN SYSTEME DE CANALISATION D'AIR.

⚠ AVERTISSEMENT: NE PAS UTILISER DANS LES DOMICILES OU LES CAMPING-CARS. L'ASSEMBLAGE DU TUYAU DOIT ÊTRE PROTÉGÉ DE LA CIRCULATION, DES MATÉRIAUX DE CONSTRUCTION ET DE TOUT CONTACT AVEC LES SURFACES CHAUDES PENDANT L'UTILISATION ET LORS DE L'ENTREPOSAGE.

Ne pas utiliser ce radiateur avant d'avoir lu et entièrement compris ces directives de sécurité et d'utilisation. Le non respect des précautions et des instructions fournies avec ce radiateur peut entraîner la mort, des blessures graves, des pertes ou des dommages matériels suite aux risques d'incendie, d'explosion, de brûlures, d'asphyxie ou d'empoisonnement au monoxyde de carbone. Seules des personnes aptes à comprendre et suivre ces instructions doivent utiliser ou entretenir ce radiateur.

Il est impossible de prévoir toutes les circonstances susceptibles de présenter des risques. Les avertissements dans ce manuel et ceux apposés sur l'appareil ne sont donc pas complets. Si on utilise une procédure, une méthode de travail ou une technique d'utilisation qui n'est pas spécifiquement recommandée on doit s'assurer qu'elle est sûre pour soi et pour les autres. S'assurer également que l'équipement ne sera pas endommagé ou rendu non sécuritaire par la méthode d'utilisation ou d'entretien choisie. VÉRIFIER AVEC LE SERVICE LOCAL DES INCENDIES SI L'ON A DES QUESTIONS SUR L'APPLICATION. Ce radiateur est conçu et homologué pour une utilisation comme radiateur de construction sous ANSI Z83.7-2011/CSA 2.14-2011.

D'autres normes régissent l'utilisation des gaz combustibles et des produits de chauffage pour des applications spécifiques. Les autorités locales peuvent vous informer sur ces dernières.

Vous devez fournir la/les bouteille(s) et le gaz propane. Ne se servir de cet appareil de chauffage qu'avec un système d'alimentation de Propane qui assure un soutirage de vapeur. Voir Chapitre 5 de La Norme pour l'Entreposage et la Manipulation du Gaz de Pétrole Liquéfié, ANSI/NFPA 58. Votre bibliothèque locale ou les responsables locaux de la sécurité incendie auront cette brochure.

⚠ AVERTISSEMENT: NE JAMAIS LAISSER L'APPAREIL DE CHAUFFAGE SANS SURVEILLANCE LORSQU'IL FONCTIONNE OU LORSQU'IL EST BRANCHÉ À UNE SOURCE D'ALIMENTATION EN CARBURANT OU D'ÉLECTRICITÉ.

INFORMATIONS IMPORTANTES SUR LA SÉCURITÉ

1. Garder les enfants loin.
2. Toujours maintenir un dégagement adéquat des matériaux combustibles. Le dégagement minimal doit être de : Côtés – 61 cm, Dessus – 91,4 cm, Avant – 183 cm.
4. Placer le radiateur sur une base solide et de niveau.
5. Ne placer aucun objet, y compris des vêtements ou d'autres articles inflammables sur le radiateur.
6. Ne pas modifier le radiateur ou utiliser un radiateur qui a été modifié.
7. Maintenir un dégagement adéquat pour l'accessibilité, la combustion et la ventilation (alimentation en air) en tout temps lorsque le radiateur fonctionne.
8. L'entretien et les réparations doivent être effectués par du personnel de service qualifié. Ce radiateur doit être inspecté avant chaque utilisation et au moins une fois par année par du personnel qualifié. Un nettoyage plus fréquent peut être requis si nécessaire. Ne pas réparer un radiateur chaud ou qui fonctionne.
9. Ne jamais connecter le radiateur à une alimentation en gaz sans régulation.
10. La connexion électrique et la mise à la terre doivent être conformes au Code national de l'électricité, ANSI/NFPA 70. N'utiliser qu'une prise à trois (3) trous correctement mise à la terre.

INFORMATIONS GÉNÉRALES SUR LA SÉCURITÉ

11. Pour éviter les blessures, porter toujours des gants lors du maniement de l'appareil de chauffage. Ne jamais manipuler un appareil de chauffage chaud ou en marche. Des brûlures graves pourraient en résulter.
12. L'installation du radiateur doit être conforme aux codes locaux et/ou aux exigences des services de gaz ou, en l'absence de codes locaux, avec le National Fuel Code ANSI Z223.1.
13. Ce radiateur est expédié de l'usine pour être utilisé avec du gaz propane (GPL) seulement. Ne pas convertir vers un quelconque autre gaz. L'installation doit être conforme aux codes locaux, ou en leur absence, avec la norme du Storage and Handling of Liquefied Petroleum Gases ANSI/NFPA 58.
14. N'utiliser que l'ensemble régulateur et tuyau fournis avec ce radiateur. Inspecter l'ensemble régulateur/tuyau avant chaque utilisation du radiateur. Si l'abrasion ou l'usure est excessive, ou si le tuyau est coupé, le remplacer par l'ensemble qui convient, illustré dans la liste des pièces, avant d'utiliser le radiateur.
15. Vérifier les connexions d'alimentation en gaz avec une solution de 50/50 d'eau et de savon. Ne jamais utiliser de flamme pour flamme pour vérifier la présence de fuites de gaz.
16. Placer la bouteille de propane à au moins 1,8 m du radiateur et ne pas diriger l'évacuation du radiateur vers la bouteille de gaz à moins que celle-ci ne soit à au moins 6 m du radiateur.
17. La connexion électrique et la mise à la terre doivent être conformes au Code national de l'électricité, ANSI/NFPA 70. Use only a properly grounded three (3) prong receptacle.
18. Ne jamais bloquer la prise ou la sortie d'air de ce chauffage.



AVERTISSEMENT: NE JAMAIS LAISSER L'APPAREIL DE CHAUFFAGE SANS SURVEILLANCE LORSQU'IL FONCTIONNE OU LORSQU'IL EST BRANCHÉ À UNE SOURCE D'ALIMENTATION EN CARBURANT OU D'ÉLECTRICITÉ.

FUNCTIONNEMENT

REMPLISSAGE DU RÉSERVOIR DE GAZ PROPANE

TOUTES LES NOUVELLES BOUTEILLES DOIVENT ÊTRE PURGÉES AVANT D'ÊTRE REMPLIES DE NOUVEAU.

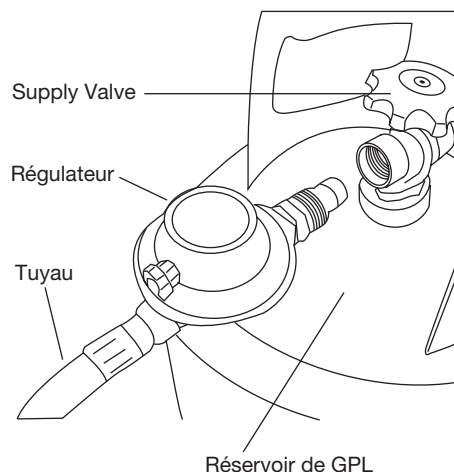
LA PURGE ET LE REMPLISSAGE DES RÉSERVOIRS DE GPL DOIVENT ÊTRE EFFECTUÉS PAR DU PERSONNEL ENTIÈREMENT FORMÉ AUX PROCÉDURES ACCEPTÉES DANS L'INDUSTRIE DU GPL. LA NON-CONFORMITÉ À CES DIRECTIVES PEUT ENTRAÎNER UNE EXPLOSION, UN INCENDIE, DES BLESSURES GRAVES OU MORTELLES.

Température (°C) au niveau du réservoir	MH-0060-LM10 20 or 100 lb cylinder	MH-150-LM10 100 lb. cylinder	MH-150-LMT0 100 lb. cylinder
0,0	1	2	2
-6,6	1	2	2
-12,2	1	3	3
-17,7	1	3	3
-23,3	2	Utiliser un réservoir plus gros	Utiliser un réservoir plus gros
28,8	2	Utiliser un réservoir plus gros	Utiliser un réservoir plus gros

1. Tourner les boutons des robinets de gaz du radiateur et du réservoir à la position d'arrêt (OFF).
2. Le robinet du réservoir de propane est équipé avec des raccords ancien style FILETAGE CÔTÉ GAUCHE. Tourner le raccord dans le sens HORAIRE pour desserrer. Protéger ce raccord lorsqu'il est détaché du réservoir.
3. Faire remplir le réservoir par votre fournisseur de gaz propane local.
4. Certains réservoirs de propane possèdent un robinet de purge. Ce robinet doit être inspecté pour y détecter des fuites après chaque remplissage du réservoir. Tourner le robinet dans le sens horaire pour fermer.
5. Serrer l'intégralité du réservoir de propane et raccorder les raccords qui conviennent au robinet du réservoir en tournant dans le sens ANTIHORAIRE.
6. Alors que le bouton du robinet de gaz est encore en position fermée (OFF), ouvrir le robinet du réservoir (ON) et vérifier pour détecter toute présence de fuites avec une solution d'eau savonneuse.

LE GAZ PROPANE EST SÉCURITAIRE LORSQU'IL EST MANIPULÉ CORRECTEMENT. UNE MANIPULATION SANS PRÉCAUTION D'UN RÉSERVOIR DE GAZ PROPANE PEUT CAUSER UN INCENDIE ET/OU UNE EXPLOSION. EN CONSÉQUENCE

7. Toujours garder le réservoir/la bouteille fixé de façon sécuritaire et en position debout.
8. Éviter d'incliner le réservoir sur le côté lorsque raccordé à un régulateur, ce qui risque d'endommager le diaphragme à l'intérieur du régulateur.



AVERTISSEMENT: NE JAMAIS LAISSER L'APPAREIL DE CHAUFFAGE SANS SURVEILLANCE LORSQU'IL FONCTIONNE OU LORSQU'IL EST BRANCHÉ À UNE SOURCE D'ALIMENTATION EN CARBURANT OU D'ÉLECTRICITÉ. 9. MANIPULER LES ROBINETS AVEC PRÉCAUTION.

10. Ne jamais raccorder un réservoir de propane sans régulateur à un radiateur de construction.
11. Ne pas soumettre le réservoir de propane à une chaleur excessive.
12. Serrer fermement le robinet d'arrêt du gaz sur le réservoir de propane après chaque utilisation.
13. Tous les raccords doivent être protégés lorsque démontés du réservoir de GPL.

FONCTIONNEMENT

14. Ne jamais entreposer un réservoir de gaz propane dans un édifice ou à proximité d'un appareil qui brûle du gaz.

⚠ LE RÉSERVOIR DÉBRANCHÉ NE DOIT JAMAIS ÊTRE ENTREPOSÉ DANS UN ÉDIFICE, UN GARAGE OU DANS TOUTE AUTRE AIRE FERMÉE.

15. Ne jamais bloquer la prise ou la sortie d'air de ce chauffage. Ne pas utiliser avec un système de canalisation d'air.

VÉRIFICATION DES FUITES

Vérifier tous les raccords avec une solution d'eau et de savon 50/50 pour s'assurer qu'ils sont serrés et sans fuites. Si des bulles apparaissent, il y a une fuite. En cas de fuite, couper l'alimentation de gaz et réparer le raccord qui fuit. Si la fuite persiste après plusieurs essais, contacter le service clientèle Mi-T-M au 800-553-9053.

L'installation du radiateur doit être conforme aux codes locaux et/ou aux exigences des services de gaz ou, en l'absence de codes locaux, avec le National Fuel Code ANSI Z223.1.

Les dégagements minimaux par rapport aux matériaux de construction combustibles doivent être maintenus en tout temps.

VENTILATION

Toujours prévoir une ouverture d'air frais dans l'espace chauffé d'au moins 3 pieds carrés (2,800 cm²) pour chaque 100,000 BTU/heure de chauffage. Prévoir une ouverture plus grande si plus d'appareils de chauffage sont utilisés. Par exemple, un chauffage MH-0215-0M10 nécessite :

- Une porte de garage à deux voitures ouverte de 6 pouces (15cm) ou
- un garage pour une voiture ouvert de 9 pouces (23cm) ou
- deux fenêtres de trente deux pouces (81cm) ouvertes de quinze pouces (38cm).

⚠ AVERTISSEMENT: NE JAMAIS LAISSER L'APPAREIL DE CHAUFFAGE SANS SURVEILLANCE LORSQU'IL FONCTIONNE OU LORSQU'IL EST BRANCHÉ À UNE SOURCE D'ALIMENTATION EN CARBURANT OU D'ÉLECTRICITÉ.

INSTRUCTIONS POUR L'ALLUMAGE (MH-0060-LM10, MH-0150-LM10)

1. Brancher le cordon d'alimentation dans une prise de cordon prolongateur à trois (3) trous de 120 V, 60 Hz, correctement mise à la terre.

Exigences de fil du cordon prolongateur :

1,8 à 3 m (6 à 10 pi) de long, utiliser un conducteur de 18 AWG.

3,4 à 30,5 m (11 à 100 pi) de long, utiliser un conducteur de 16 AWG.

30,8 à 61 m (101 à 200 pi) de long, utiliser un conducteur de 14 AWG.

2. Raccorder le radiateur à une bouteille de GPL qui convient.
3. Tourner le robinet dans le sens horaire à la position d'arrêt (OFF).
4. Attendre cinq (5) minutes pour que tout gaz se dissipe. Sentir pour détecter toute odeur de gaz; si rien n'est détecté, passer à l'étape 5.
5. Enfoncer le bouton de commande de gaz et le tourner dans le sens antihoraire jusqu'à la position LOW/IGN. Ceci allume le brûleur. Si nécessaire, continuer d'appuyer le bouton de commande jusqu'à ce que le brûleur s'allume et maintenir cette pression en tournant de OFF à LOW/IGN sur les modèles à étincelles piézo électrique.
6. Garder enfoncé le bouton du robinet pendant au moins 30 secondes après l'allumage du brûleur. Après 30 secondes, relâcher le bouton du robinet.
7. Si le brûleur ne reste pas allumé, répéter la procédure d'allumage.
8. Lorsque le brûleur reste allumé, tourner le bouton du robinet de gaz dans le sens antihoraire au réglage désiré.

INSTRUCTIONS POUR L'ALLUMAGE (MH-0150-LMT0)

La théorie de fonctionnement du thermostat 150T est que l'alimentation en courant est contrôlée par le thermostat. Celui-ci utilise un détecteur de température à résistance (RTD) pour ouvrir et fermer un circuit lequel

FONCTIONNEMENT

coupe le courant du circuit imprimé. Ce circuit imprimé pilote une électrovalve qui contrôle l'alimentation en gaz du gicleur et l'alimentation en courant du ventilateur. Ceci est possible car ce chauffage n'utilise pas un thermocouple pour rectifier la présence de la flamme. La présence de la flamme est rectifiée par l'allumeur.

1. Respecter toutes les consignes de ventilation, d'installation et de sécurité contenues dans ce manuel.
2. Placer l'appareil de chauffage sur une surface stable et plane. S'assurer que des courants d'air ne soufflent pas dans la prise ou la sortie d'air de l'appareil de chauffage.
3. Brancher le cordon d'alimentation de l'appareil de chauffage dans une rallonge électrique tri filaire avec mise à la terre. S'assurer que la rallonge électrique mesure au moins 6 pieds (1,80 m) et qu'elle est de classe UL.

Jusqu'à 50 pieds (15m), utiliser une rallonge de calibre 18 AWG.

De 51 à 100 pieds de longueur (15,50 à 30,50m), utiliser une rallonge de calibre 16 AWG.

De 101 à 200 pieds de longueur (30,8 à 61 m), utiliser une rallonge de calibre 14 AWG.

4. Tout en respectant les critères de calibre, brancher la rallonge électrique dans une prise de courant à trois branches de 120 volts/60 hertz avec mise à la terre.
5. Ouvrir lentement le robinet d'alimentation de gaz.
6. Tourner l'interrupteur de marche/arrêt (on/off) jusqu'à la position de marche (ON). Régler le thermostat à la température désirée. Si le chauffage ne démarre pas, le thermostat est peut être réglé à une température trop basse. Sélectionner une température de consigne plus élevée et démarrer le chauffage.

AVERTISSEMENT: NE JAMAIS LAISSER L'APPAREIL DE CHAUFFAGE SANS SURVEILLANCE LORSQU'IL FONCTIONNE OU LORSQU'IL EST BRANCHÉ À UNE SOURCE D'ALIMENTATION EN CARBURANT OU D'ÉLECTRICITÉ.

INSTRUCTIONS POUR L'ARRÊT

Pour éteindre le radiateur:

1. Tourner le bouton du robinet dans le sens horaire à la position d'arrêt (OFF).
2. FERMER l'alimentation en gaz en tournant le robinet de réservoir de propane dans le sens horaire.
3. Débrancher le cordon d'alimentation.

VÉRIFICATION DE LA MISE EN FEU DU RADIATEUR

Vérifier la mise en feu du radiateur de construction en suivant les instructions d'allumage correspondant au système de commande de gaz utilisé.

Vérifier pour détecter des fuites à tous les raccords de gaz à l'aide d'une solution d'eau et de savon 50/50. Des bulles de savon indiquent une fuite de gaz. NE PAS utiliser une allumette ou une flamme pour détecter des fuites de gaz.

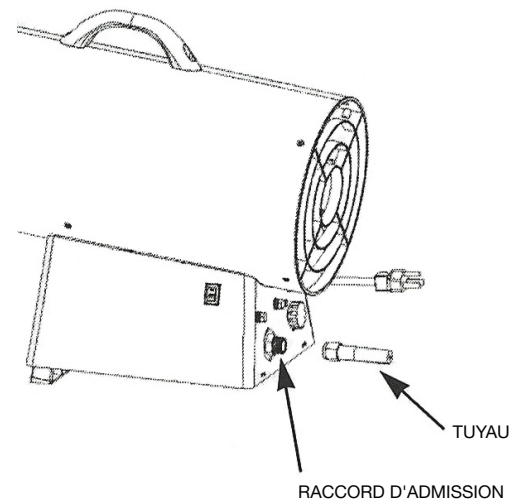
REMARQUE : La température de la surface du radiateur doit être froide avant d'effectuer le service, le nettoyage ou l'entreposage.

ENTREPOSAGE

Ne jamais entreposer un réservoir de gaz propane dans un édifice ou à proximité d'un appareil qui brûle du gaz ou de l'huile.

Lorsqu'un réservoir de propane n'est pas débranché d'un radiateur de construction, le réservoir de gaz et le radiateur doivent être entreposés à l'extérieur dans une zone bien ventilée, hors de portée des enfants. Si pour une raison quelconque, le radiateur est entreposé à l'intérieur, le réservoir doit d'abord être débranché et enlevé de la base du radiateur et entreposé à l'extérieur dans une zone bien ventilée, hors de portée des enfants, en conformité avec la dernière édition du Storage and Handling of Liquefied Gases ANSI/NFPA 58. Le bouchon en plastique du robinet du réservoir, fourni avec le réservoir, doit être installé bien serré lorsque le réservoir est débranché du radiateur.

REMARQUE : L'installation et les réparations doivent être effectuées par du personnel de service qualifié.



ENTRETIEN

ENTRETIEN ET ENTREPOSAGE

Inspecter le radiateur avant chaque utilisation. Vérifier tous les raccords pour y détecter des fuites, en suivant la procédure indiquée aux pages 4 et 5. Vérifier le tuyau du régulateur pour y détecter des fissures des brisures ou de l'usure. Si le tuyau est endommagé, le remplacer par une pièce correspondante du fabricant.

Après son utilisation, toujours débrancher le radiateur de la bouteille et ranger le radiateur dans un endroit distinct de celui de la bouteille. S'assurer de bien fermer le robinet de la bouteille après son utilisation et avant de l'entreposer.

Toujours entreposer les bouteilles de propane à l'extérieur, mais pas dans un endroit clos. Ne jamais entreposer une bouteille à proximité d'une source de chaleur, sous les rayons directs du soleil ou près de flammes nues. Ne jamais entreposer la bouteille à l'intérieur. La bouteille doit toujours être entreposée à l'extérieur, en conformité avec le chapitre 5 du Standard for Storage and Handling of Liquefied Petroleum Gases (ANSI/INFP 58) (Norme sur l'entreposage et la manipulation du GPL).

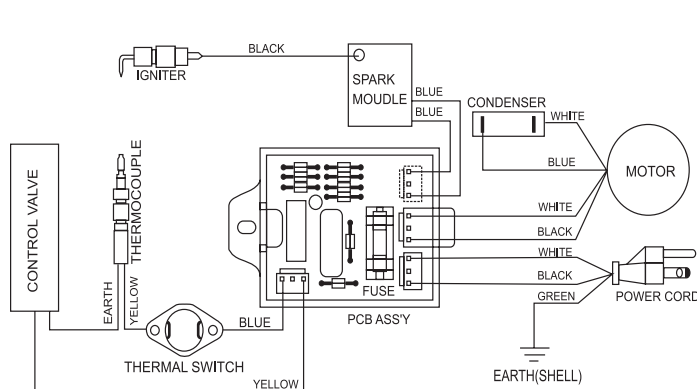
Toujours garder propre l'intérieur et l'extérieur du radiateur.

Faire inspecter le radiateur chaque année par du personnel de service qualifié.

Placer des couvercles en plastique par-dessus les raccords d'alimentation du radiateur lorsqu'on l'entrepose pour la saison.

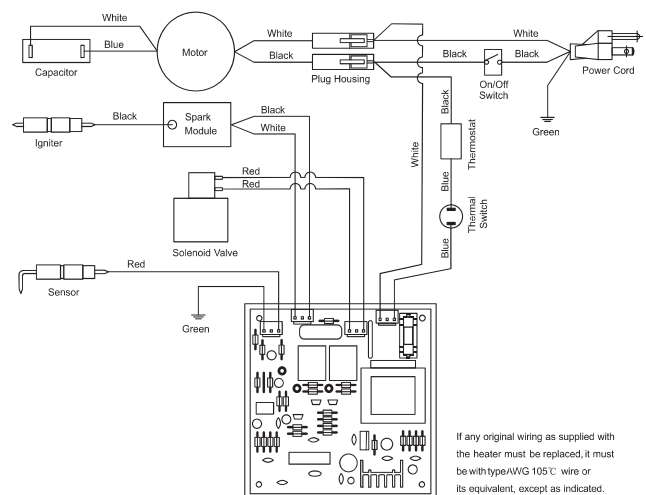
Toujours entreposer le radiateur dans un endroit propre, Ne jamais tenter de réparer le radiateur sec et sécuritaire.

AVERTISSEMENT: NE JAMAIS LAISSER L'APPAREIL DE CHAUFFAGE SANS SURVEILLANCE LORSQU'IL FONCTIONNE OU LORSQU'IL EST BRANCHÉ À UNE SOURCE D'ALIMENTATION EN CARBURANT OU D'ÉLECTRICITÉ.



If any original wiring as supplied with the heater must be replaced, it must be with type AWG 105°C wire or its equivalent, except as indicated.

MH-0060-LM10, MH-0150-LM10



If any original wiring as supplied with the heater must be replaced, it must be with type AWG 105°C wire or its equivalent, except as indicated.

MH-0150-LMT0

DÉPANNAGE

SYMPTÔME	CAUSE(S) POSSIBLE(S)	ACTION CORRECTIVE
Le ventilateur ne tourne pas lorsque la connexion électrique est effectuée	<ol style="list-style-type: none"> 1. Pas d'alimentation électrique au radiateur 2. La pale du ventilateur entre en contact avec l'intérieur de l'enveloppe du radiateur 3. Pale(s) de ventilateur pliée(s) 4. Moteur du ventilateur défectueux 	<ol style="list-style-type: none"> 1. Vérifier la tension vers la prise électrique. Si la tension est correcte, vérifier le cordon d'alimentation et la rallonge pour y détecter des coupures ou des brisures 2. S'assurer que le boîtier n'est pas endommagé. S'assurer qu'aucune obstruction n'entrave le ventilateur 3. Redresser la ou les lames pour qu'elles correspondent aux autres 4. Remplacer le moteur
Le radiateur ne peut être mis à feu	<ol style="list-style-type: none"> 1. Aucune étincelle au niveau de l'allumeur 2. Écart de bougie incorrect 3. Électrode défectueuse 	<ol style="list-style-type: none"> 1. Vérifier le fil de l'allumeur. Réattacher ou serrer si desserré. Vérifier le module à étincelles. Remplacer au besoin. Vérifier tous les composants électriques 2. Régler l'écart à 4,1 mm 3. Remplacer la bougie d'allumage)
Le radiateur s'éteint pendant qu'il fonctionne	<ol style="list-style-type: none"> 1. Température interne trop élevée, ce qui déclenche l'interrupteur et éteint l'appareil 2. Robinet de commande endommagé 3. Accumulation de poussière ou de débris à l'intérieur du radiateur 	<ol style="list-style-type: none"> 1. Si le débit du radiateur est restreint, la température interne devient trop élevée. Déplacer le radiateur pour l'éloigner de toute obstruction 2. Remplacer le robinet de commande 3. Nettoyer l'intérieur du radiateur



GARANTIE LIMITÉE

Mi-T-M garantit à l'acheteur au détail d'origine seulement que ce radiateur sera exempt de défauts de matière et de fabrication pendant une période d'un an à partir de la date de l'achat initial. Ce produit doit être installé, entretenu et utilisé correctement, en conformité avec les instructions fournies.

Mi-T-M exige une preuve raisonnable de la date d'achat chez un détaillant ou un distributeur autorisé. Il vous faut donc conserver votre preuve d'achat, facture ou chèque annulé pour l'achat d'origine. Cette garantie limitée couvre uniquement la réparation ou le remplacement des pièces jugées défectueuses dans des conditions d'utilisation et d'entretien normales pendant la période de garantie et Mi-T-M se réserve le droit de déterminer ceci à sa seule discrétion. Cette garantie ne couvre pas les pièces d'usure: filtres, ailettes, gicleurs et rotors.

Cette garantie limitée ne couvre pas toute défaillance ou difficulté d'utilisation résultant d'un usage normal, d'une usure normale, d'un accident, d'un abus, d'une mauvaise utilisation, d'une altération, d'un mauvais usage, d'une installation inadéquate ou encore d'une réparation ou d'un entretien inadéquats par vous ou par une quelconque tierce partie. Le fait de négliger d'effectuer l'entretien normal et de routine de ce radiateur, les dommages causés lors de l'expédition de l'expédition ou reliés à des insectes, des oiseaux ou des animaux ou encore à tout autre dommage résultant des conditions météorologiques ne sont pas couverts par cette garantie. En outre, cette garantie limitée ne couvre pas les dommages au fini, comme les égratignures, les encoches, la décoloration, la rouille ou d'autres dommages résultant des conditions météorologiques, et survenus après l'achat.

Tous les frais de transport pour le retour de produits ou de pièces endommagés doivent être défrayés par l'acheteur. Sur réception de l'article endommagé, Mi-T-M examinera l'article en question et déterminera s'il est défectueux. Mi-T-M réparera ou remplacera et retournera l'article frais de port payés. Si Mi-T-M détermine que l'article est dans un état d'utilisation normale, ou n'est pas défectueux, il sera retourné fret payable à l'arrivée. Cette garantie limitée remplace toute autre garantie explicite. Mi-T-M renonce à toute garantie de produits achetés de vendeurs autres que des détaillants ou distributeurs autorisés.

APRÈS UNE PÉRIODE D'UN (1) AN CETTE GARANTIE EXPRESSE EXPIRE, MI-T-M RENONCE À TOUTE GARANTIE IMPLICITE INCLUANT, MAIS SANS S'Y LIMITER, TOUTE GARANTIE IMPLICITE DE QUALITÉ MARCHANDE OU D'ADAPTATION À UN USAGE PARTICULIER. EN OUTRE, MI-T-M N'EST AUCUNEMENT RESPONSABLE ENVERS L'ACHETEUR OU ENVERS TOUTE TIERCE PARTIE POUR UN QUELCONQUE DOMMAGE INDIRECT, PUNITIF, CONNEXE OU FORTUIT. Mi-T-M n'assume aucune responsabilité pour un quelconque défaut causé par une tierce partie. Cette garantie limitée donne à l'acheteur des droits légaux spécifiques; un acheteur pourrait jouir d'autres droits selon de la juridiction où il réside. Certaines juridictions ne permettent pas l'exclusion ou la limitation des dommages spéciaux, indirects ou fortuits ou des limitations sur la durée d'une garantie; les limitations ci-dessus pourraient donc ne pas s'appliquer à votre cas.

Mi-T-M n'autorise aucune personne ou aucune entreprise à assumer pour elle une quelconque obligation ou responsabilité autre reliée à la vente, l'installation, l'utilisation, l'enlèvement, le retour ou le remplacement de ces équipements et aucune telle représentation ne lie en quelque manière Mi-T-M

Toujours s'assurer de spécifier le numéro de modèle et le numéro de série lors de toute demande à Mi-T-M

Pour service ou considération de garantie, contactez
Mi-T-M® Corporation, 8650 Enterprise Drive, Peosta, IA 52068
563-556-7484 / 800-553-9053 / Fax 563-556-1235
du lundi au vendredi, de 8h00 à 17h00, CST (heure centrale)



Always follow manufacturer instructions

TABLE OF CONTENTS

INTRODUCTION	38
IMPORTANT!.....	38
ADVERTENCIAS IMPORTANTES DE SEGURIDAD	39
CARACTERÍSTICAS DEL PRODUCTO	44
INFORMACION SOBRE EL PROPANO	44
ESPECIFICACIONES.....	45
INFORMACIÓN DE SEGURIDAD GENERAL	46
OPERACIÓN	48
MANTENIMIENTO	51
LOCALIZACION DE FALLAS	52
GARANTIA LIMITADA	53

⚠ ADVERTENCIA GENERAL DE RIESGO: EL FRACASO DE CUMPLIR CON LAS PRECAUCIONES E INSTRUCCIONES PROVEÍDAS CON ESTA CALENTADORA PUEDE CAUSAR LA MUERTE, HERIDOS MUY GRAVES, EL DAÑO O PÉRDIDA DE PROPIEDAD POR LOS RIESGOS DE FUEGO, EXPLOSIÓN, QUEMADURA, ASFIXIA, ENVENENAMIENTO DEL MONÓXIDO DE CARBONO, Y/O CHOQUE ELÉCTRICO.

SOLO LAS PERSONAS QUE PUEDEN ENTENDER Y SEGUIR LAS INSTRUCCIONES DEBEN UTILIZAR O MANTENER SERVICIO DE ESTA CALENTADORA.

SI NECESITA ASISTENCIA, AYUDA O INFORMACIÓN DE LA CALENTADORA COMO UN MANUAL DE INSTRUCCIONES, ETIQUETA, ETC., SE PONGA EN CONTACTO CON EL FABRICANTE.

⚠ ADVERTENCIA: PELIGRO DE INCENDIO, QUEMADURA, INHALACIÓN Y EXPLOSIÓN. MANTENGA LOS COMBUSTIBLES SÓLIDOS COMO, POR EJEMPLO, MATERIALES DE CONSTRUCCIÓN, PAPEL Y CARTÓN, A UNA DISTANCIA PRUDENCIAL DEL CALENTADOR SEGÚN LO RECOMIENDAN LAS INSTRUCCIONES. NUNCA USE LA CALENTADORA EN ESPACIOS QUE CONTENGAN O PUEDAN CONTENER COMBUSTIBLES VOLÁTILES O EN SUSPENSIÓN EN EL AIRE NI PRODUCTOS COMO, POR EJEMPLO, GASOLINA, DISOLVENTES, SOLVENTES DE PINTURA, PARTÍCULAS DE POLVO O QUÍMICOS DESCONOCIDOS.

⚠ ADVERTENCIA: NO PARA USO EN LA CASA O VEHÍCULO RECREACIONAL

⚠ WARNING

ADVERTENCIA: Este producto tiene plomo, una sustancia química conocida al Estado de California a causar cáncer y defectos de nacimiento u otro daño reproductivo.

Lávese las manos después de usar este producto.

⚠ ADVERTENCIA

Este producto contiene química conocida por el estado de California a causar cáncer, defectos de nacimiento, y otros peligros reproductivos.

INTRODUCCION

¡Felicitaciones por la compra de su nueva compresor de aire eléctrico! Puede estar seguro que su compresor de aire eléctrico fue construida con el nivel más. Cada componente ha sido probado rigurosamente por técnicos para asegurar la calidad, la resistencia y el rendimiento de esta unidad.

Este manual del operador fue compilado para su beneficio. Leyendo y siguiendo los pasos simples de seguridad, instalación, operación, mantenimiento y localización de fallas descritos en este manual ayudará a prolongar aun más la operación libre de fallas que usted puede esperar de su compresor de aire eléctrico. El contenido de este manual está basado en la información actualizada disponible al momento de la publicación. Mi-T-M® se reserva el derecho de efectuar cambios en precio, color, materiales, equipo, especificaciones o modelos en cualquier momento sin previo aviso.

¡IMPORTANTE!

Estos párrafos están rodeados por una “CASILLA DE ALERTA DE SEGURIDAD”. Esta casilla se usa par designar y enfatizar las Advertencias de Seguridad que deben seguirse al operar esta lavadora a presión. Acompañando a las Advertencias de Seguridad están las “palabras de alerta” que designan el grado o nivel de seriedad de riesgo. Las “palabras de alerta” usadas en este manual son las siguientes:

PELIGRO: Indica una situación inminente riesgosa la cual, si no se evita, RESULTARA en la muerte o en lesiones graves.

ADVERTENCIA: Indica una situación potencialmente riesgosa la cual, si no se evita, PODRIA resultar en la muerte o en lesiones graves.

PRECAUCION: Indica una situación potencialmente riesgosa la cual, si no se evita PUEDE resultar en lesiones menores o moderadas.



El símbolo indicado a la izquierda de este párrafo es el “Símbolo de Alerta de Seguridad”. Este símbolo se usa para alertarlo acerca de artículos o procedimientos que podrían ser peligrosos para usted u otras personas usando este equipo.

PROVEA SIEMPRE UNA COPIA DE ESTE MANUAL A CUALQUIER PERSONA QUE USE ESTE EQUIPO. LEA TODAS LAS INSTRUCCIONES ANTES DE OPERAR ESTA LAVADORA A PRESION, OBSERVANDO EN PARTICULAR LAS “ADVERTENCIAS DE SEGURIDAD” PARA EVITAR LA POSIBILIDAD DE LESIONES PERSONALES AL OPERADOR.

Escriba el número de serie de su unidad en el espacio provisto abajo, una vez que la unidad haya sido desempacada.

NUMERO DE SERIE _____



Inspeccione por daño el contenido de la caja. Si algo parece dañado, NO LADEVUELVAAL LUGAR DE COMPRA. Llame a su representante de servicio al cliente de al 800-553-9053.

Por favor tenga disponible la información siguiente para todas las llamadas de servicio:


1. Número de modelo
2. Número de serie
3. Fecha y lugar de compra

Mi-T-M® Corporation
8650 Enterprise Drive
Peosta, IA 52068-0050


ADVERTENCIAS IMPORTANTES DE SEGURIDAD

Hazard	Potential Consequence	Prevention
<p>RIESGO DE DESCARGAS ELÉCTRICAS O ELECTROCUCIÓN</p> 	<p>Una incorrecta conexión a tierra del compresor de aire puede causar lesiones graves o incluso la muerte. Su compresor de aire es alimentado por corriente eléctrica que puede causar descargas eléctricas o electrocución, si no se usa correctamente.</p> <p>Las descargas eléctricas pueden ocurrir si no se usa correctamente el compresor de aire.</p> <p>Reparaciones de partes eléctricas realizadas por personal incapacitado puede causar lesiones graves o incluso la muerte.</p>	<p>La instalación de esta unidad, incluyendo todas las conexiones eléctricas, debe conformarse con todo el local, estado y códigos nacionales.</p> <p>Este producto debe ser puesto a tierra. Conecte con un interruptor de GFCI cuando esta' disponible. Si funciona incorrectamente la unidad o interrupción, el poner a tierra proporciona una trayectoria de menos resistencia para la corriente eléctrica para reducir el riesgo de la descarga eléctrica. No mueva a una línea de fuente de gas.</p> <p>La conexión incorrecta del conductor equipo-que pone a tierra puede dar lugar a un riesgo del electrocution. Compruebe con un electricista o un personal de servicio cualificado si usted es en duda si el sistema está puesto a tierra correctamente.</p> <p>Esté siempre seguro que la unidad está recibiendo voltaje apropiado Antes de instalar conexiones eléctricas, esté seguro que los interruptores están en la posición de "off".</p> <p>Mantenga todas las conexiones secas y de la tierra.</p> <p>No usar sin las protecciones de seguridad/coberturas o si éstas están dañadas.</p> <p>Cualquier operación de cableado o reparación eléctrica en debe ser realizado por personal autorizado, conforme a las normas eléctricas locales y nacionales.</p>
<p>RIESGO DE QUEMADURAS</p> 	<p>La herida grave podría ocurrir de tocar partes metálicas expuestas. Estas áreas pueden quedarse caliente durante un tiempo después de que la calentadora sea apagada.</p>	<p>Asegurarse que ninguna parte del cuerpo o de otros materiales entre en contacto con las partes metálicas expuestas del compresor de aire.</p>

ADVERTENCIAS IMPORTANTES DE SEGURIDAD

Hazard	Potential Consequence	Prevention
<p>RIESGO DE EXPLOSIÓN O DE INCENDIO</p>  	<p>Normales chispas eléctricas del motor y del interruptor de presión pueden causar lesiones graves e incluso la muerte.</p> <p>La herida grave puede ocurrir la entrada o salida del aire de la calentadora son bloqueadas.</p> <p>La herida o la muerte graves pueden ocurrir si combustibles impropios son utilizados, si calentadora esta operando al rellenar.</p> <p>SIEMPRE mantenga la calentadora en una superficie de estable y nivel. SIEMPRE mantenga a niños y animales lejos de calentadora.</p>	<p>Siempre opere calentadora en un área bien ventilada libre de vapores inflamables, polvo combustible, los gases u otras materias combustibles.</p> <p>Nunca ponga los objetos enfrente de entrada del aire (trasero) ni salida de aire (frente) de calentadora. Nunca utilice el trabajo de conducto en la frente ni en trasero de calentadora. Mantenga toda materia combustible lejos de esta calentadora.</p> <p>El propano (LP) regulador de presión de gas y la asamblea de manguera proveídos con la calentadora deben ser usados sin la modificación.</p> <p>El almacenamiento del combustible del bulto debe ser un mínimo de 25 Pies de calentadoras, de las antorchas, de generadores portátiles, o de otras fuentes de ignición. Todo almacenamiento del combustible debe ser de acuerdo con federal, el estado, o las administración local que tienen jurisdicción.</p> <p>Nunca movimiento ni maneja calentadora mientras todavía caliente.</p> <p>Si equipado con un termostato, la calentadora puede comenzar en tiempo.</p> <p>SIEMPRE mantenga la calentadora en una superficie de estable y nivel. SIEMPRE mantenga a niños y animales lejos de calentadora.</p>

ADVERTENCIAS IMPORTANTES DE SEGURIDAD

Hazard	Potential Consequence	Prevention
<p data-bbox="289 258 479 317">RIESGOS A LA RESPIRACIÓN</p> 	<p data-bbox="621 258 1000 384">La herida o la muerte graves podrían ocurrir del fracaso para tener ventilación apropiada según este manual.</p>	<p data-bbox="1036 258 1463 787">Esta es una calentadora del aire forcido que use queroseno y directo-despidió. El uso principal es para la calefacción temporaria de edificios en construcción, la modificación o la reparación. Los medios de directo-despidió que todos los productos de combustión de la calentadora entran el espacio calentado. Este aparato es valorado en 98% de eficiencia de combustión, pero produce cantidades pequeñas de monóxido de carbono. El monóxido de carbono es tóxico. Los humanos pueden tolerar cantidades pequeñas de monóxido de carbono, y las precauciones deben ser tomadas para proporcionar ventilación apropiada. El fracaso para proporcionar ventilación apropiada según este manual puede tener como resultado la muerte.</p> <p data-bbox="1036 800 1451 1092">Si no se suministra la adecuada ventilación indicada en este manual, se puede ocasionar la muerte. Las primeras etapas de intoxicación por monóxido de carbono producen síntomas similares a los de la gripe. Los síntomas que puede sufrir si la ventilación no es la adecuada son: * dolor de cabeza * mareo * irritación de la nariz y los ojos * náusea * boca seca * irritación de la garganta</p> <p data-bbox="1036 1104 1459 1182">La abertura debe tener al menos 0.28 m² por cada 100,000 Btu de capacidad máxima.</p> <p data-bbox="1036 1194 1463 1486">Las personas con problemas de respirar deben consultar a un médico antes de utilizar la calentadora. El Envenenamiento del Monóxido de carbono: Los signos tempranos de envenenamiento de monóxido de carbono se parecen a síntomas que son similares al gripe como dolores de cabeza, al mareo, y/o a la náusea. Si usted tiene estos síntomas, su calentadora no puede estar trabajando apropiadamente.</p> <p data-bbox="1036 1499 1451 1791">¡Consiga aire fresco inmediatamente! La calentadora necesita atención pronto. Algunas personas son afectadas mas por monóxido de carbono que otros. Estos incluyen a mujeres embarazadas, éstos con problemas del corazón o problemas pulmonares, con la anemia, o con éstos ebrio, o a grandes altitudes. Nunca utilice esta calentadora en áreas de viviendo ni áreas durmientes.</p> <p data-bbox="1036 1803 1459 1934">Esta calentadora portátil no tiene rejillas de ventilación. Utilice el aire (oxígeno) de la zona en que está usada. Combustión suficiente y ventilación suficiente necesitan ser proveídas.</p>

ADVERTENCIAS IMPORTANTES DE SEGURIDAD

! PELIGRO DE INCENDIO, QUEMADURA, INHALACIÓN Y EXPLOSIÓN. MANTENGA LOS COMBUSTIBLES SÓLIDOS COMO, POR EJEMPLO, MATERIALES DE CONSTRUCCIÓN, PAPEL Y CARTÓN, A UNA DISTANCIA PRUDENCIAL DEL CALENTADOR SEGÚN LO RECOMIENDAN LAS INSTRUCCIONES. NUNCA USE EL CALENTADOR EN ESPACIOS QUE CONTENGAN O PUEDAN CONTENER COMBUSTIBLES VOLÁTILES O EN SUSPENSIÓN EN EL AIRE NI PRODUCTOS COMO, POR EJEMPLO, GASOLINA, DISOLVENTES, SOLVENTES DE PINTURA, PARTÍCULAS DE POLVO O QUÍMICOS DESCONOCIDOS.

! SI NO SE OBSERVA EXACTAMENTE LA INFORMACIÓN CONTENIDA EN ESTE MANUAL, PUEDE PRODUCIRSE UN INCENDIO O UNA EXPLOSIÓN QUE, A SU VEZ, PUEDE OCASIONAR DAÑOS MATERIALES, LESIONES PERSONALES O PÉRDIDA DE VIDAS.

- NO GUARDE NI UTILICE GASOLINA U OTROS GASES Y LÍQUIDOS INFLAMABLES CERCA DE ESTE O CUALQUIER OTRO ARTEFACTO.
- NO DEBE GUARDARSE CILINDROS DE PL DESCONECTADOS CERCA DE ESTE O CUALQUIER OTRO ARTEFACTO.
- QUÉ HACER SI HAY OLOR A GAS:
- NO TRATE DE ENCENDER EL CALENTADOR
- APAGUE TODA CLASE DE LLAMA VIVA
- CIERRE EL SUMINISTRO DE GAS DEL CALENTADOR
- SI CONTINÚA EL OLOR, PÓNGASE EN CONTACTO CON LA EMPRESA DE GAS O EL CUERPO DE BOMBEROS DE SU LOCALIDAD
- NO TOQUE NINGÚN INTERRUPTOR ELÉCTRICO NI UTILICE NINGÚN TELÉFONO DE LA EDIFICACIÓN EN QUE SE ENCUENTRE
- LLAME INMEDIATAMENTE A LA EMPRESA DE GAS DESDE EL TELÉFONO DE UN VECINO. SIGA LAS INSTRUCCIONES DE LA EMPRESA DE GAS
- SI NO PUEDE COMUNICARSE CON LA EMPRESA DE GAS, LLAME AL CUERPO DE BOMBEROS
- SÓLO TÉCNICOS CUALIFICADOS O LA EMPRESA DE GAS PUEDEN HACER LA REPARACIÓN..

! EL ESTADO DE CALIFORNIA EXIGE QUE SE HAGA LA SIGUIENTE ADVERTENCIA (PROPOSICIÓN 65): LOS PRODUCTOS DERIVADOS DE LA COMBUSTIÓN QUE PRODUCE ESTE PRODUCTO CONTIENEN MONÓXIDO DE CARBONO, UN COMPUESTO QUÍMICO QUE EL ESTADO DE CALIFORNIA RECONOCE COMO CAUSANTE DE CÁNCER Y MALFORMACIONES CONGÉNITAS (Y OTROS DAÑOS DEL SISTEMA REPRODUCTOR).

! NO USE ESTE CALENTADOR HASTA QUE HAYA LEÍDO Y ENTENDIDO TOTALMENTE ESTAS INSTRUCCIONES DE SEGURIDAD Y OPERACIÓN. SI NO SE CUMPLE CON LAS PRECAUCIONES E INSTRUCCIONES SUMINISTRADAS CON ESTE CALENTADOR, SE PUEDE SUFRIR LA MUERTE, LESIONES CORPORALES Y PÉRDIDAS MATERIALES COMO CONSECUENCIA DE INCENDIO, EXPLOSIÓN, QUEMADURA, ASFIXIA E INTOXICACIÓN POR MONÓXIDO DE CARBONO. SÓLO LAS PERSONAS QUE PUEDAN LEER Y ENTENDER ESTAS INSTRUCCIONES PUEDEN UTILIZAR O DARLE SERVICIO A ESTE CALENTADOR.

! ¡GUARDE ESTAS INSTRUCCIONES! **!**

 **ADVERTENCIA** 

LAS PAGINAS SIGUIENTES CONTIENEN INSTRUCCIONES DE OPERACION Y MANTENIMIENTO

NO TRATE DE OPERAR ESTA LAVADORA A PRESION HASTA QUE HAYA LEIDO Y ENTENDIDO TODAS LAS PRECAUCIONES E INSTRUCCIONES DE SEGURIDAD LISTADAS EN ESTE MANUAL.

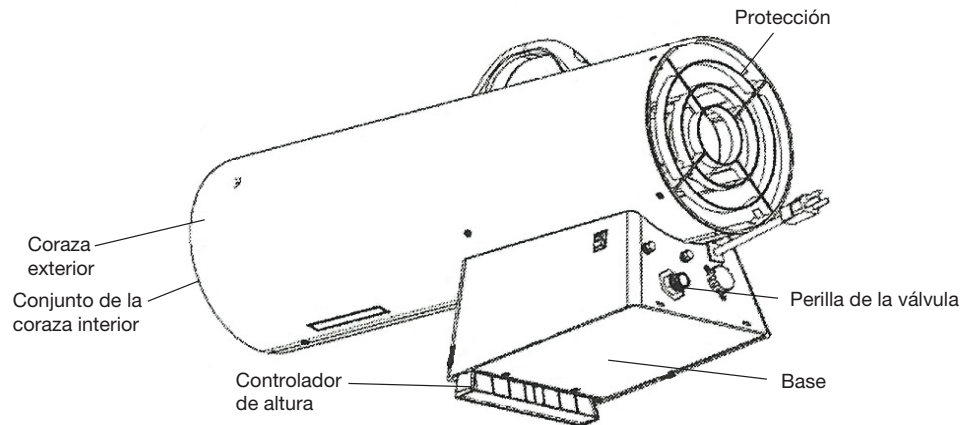
¡¡LA OPERACION INCORRECTA DE ESTA UNIDAD PUEDE CAUSAR LESIONES GRAVES!!

¡¡DE NINGUNA MANERA ALTERE O MODIFIQUE ESTE EQUIPO!!

ADVERTENCIA: NUNCA DEJE DESATENDIDA LA CALENTADORA MIENTRAS ESTE ENCENDIDO O ESTE CONECTADA A UNA FUENTE ELÉCTRICO/ DE ALIMENTACIÓN, O CUANDO ESTE CONECTADA A UNA FUENTE DE COMBUSTIBLE.

CARACTERÍSTICAS DEL PRODUCTO

El Eodelo Ilustró MH-0150-LM10



CARACTERÍSTICAS DEL PRODUCTO

- Portátil, estable y totalmente armado.
- Resistente al viento y protegido contra la lluvia.
- Ignición de chispa continua o ignición de chispa piezoeléctrica.
- Sistema de apagado 100% seguro.
- Capacidades de entrada ajustables

INFORMACION SOBRE EL PROPANO

El tanque de gas propano (LP) también deberá estar equipado con lo siguiente:

- Un collar para proteger la válvula de gas.
- Una válvula de cierre conectada en la salida de la válvula del cilindro o tanque de gas propano según la especificación de la
- Norma Nacional Americana para la conexión de entradas y salidas de válvulas de cilindros de gas comprimido.
- Una válvula de alivio de seguridad con comunicación directa con el espacio de vapor del tanque.
- Una forma para retirar o sacar el vapor.

ESPECIFICACIONES

Modelo	MH-0060-LM10	MH-0150-LM10	MH-0150-LMT0
Capacidad de entrada	40-50-60,000	120,000-150,000	150,000
Consumo de gas	0,861 a 1,04 a 1,27 L/hr	2,5 / 2,81 / 3,13 L/hr	3,13 L/hr
Entrada Eléctrica	120V, 60 Hz	120V, 60 Hz	120V, 60 Hz
Presión del múltiple	279,4 mm CE	203 mm CE	198,12 mm CE
Amperaje	0,60	0,80	0,80
Tamaño L x A x Al (cm)	45,97 x 18,03 x 33,02	63,8 x 22,1 x 39,1	63,8 x 22,1 x 39,1
Peso Kg (Lb)	5,08 (11,2)	7,98 (17,6)	10,8 (24)

INFORMACIÓN DE SEGURIDAD GENERAL

⚠️ ADVERTENCIA: EL USO IMPROPIO DE ESTA CALENTADORA PUEDE RESULTAR CON HERIDA O MUERTE GRAVES DE QUEMADURAS, EL FUEGO, LA EXPLOSION, GOLPE ELECTRICO Y/O ENVENENAMIENTO DE MONOXIDO DE CARBONO

Este calentador ha sido diseñado para uso en construcciones de acuerdo con la normas ANSI Z83.7-2011/CSA 2.14-2011. Otras normas rigen el uso de gases combustibles y productos de calefacción para usos específicos. Sus autoridades locales pueden asesorarle sobre esas normas. Los calentadores para uso en tareas de construcción están diseñados principalmente para proporcionar calefacción temporal en edificios en construcción, alteración o reparación. El calentador, usado correctamente, proporciona una calefacción económica y segura. Los productos de combustión se ventilan en el área siendo calentada.

⚠️ ADVERTENCIA: NO ES PARA USO CON SISTEMA DE VENTILACIÓN DE ESCAPE.

⚠️ ADVERTENCIA: NO ES PARA EL USO EN CASA NI EL USO DE CARAVANA PEQUEÑA. LA ASAMBLEA DE LA MANGA SERA PROTEGIDA DEL TRAFICO, EL MATERIAL DE CONSTRUCCION Y CONTACTO CON SUPERFICIES CALIENTES DURANTE USO Y MIENTRAS EN EL ALMACENAMIENTO.

Lea detenida y completamente este Manual del usuario antes de intentar usar o darle mantenimiento a este calentador. El uso inadecuado del calentador puede ocasionar lesiones graves o la muerte debido a incendio, explosión o envenenamiento por monóxido de carbono.

Toda posible circunstancia que podría implicar un peligro no puede ser anticipada. Las advertencias que aparecen en este manual y en la unidad no cubren por tanto todo. Si se utiliza un procedimiento, método de trabajo o técnica de operación no específicamente recomendado por Pinnacle, usted deberá asegurarse que es seguro para usted y para otros. También deberá asegurarse que no se dañará el equipo ni se hará éste inseguro por el método de operación o mantenimiento que usted elija. CONSULTE CON LAS AUTORIDADES DE SEGURIDAD DE INCENDIOS DE SU LOCALIDAD SI TIENE ALGUNA DUDA SOBRE EL USO DE ESTE CALENTADOR. Este calentador ha sido diseñado y aprobado para uso como un calentador para uso en tareas de construcción bajo ANSI Z83.7-2011/CSA 2.14-2011.

Otras normas rigen el uso de gases combustibles y materiales productores de calor en aplicaciones específicas. Sus autoridades locales pueden asesorarle sobre esas normas.

Usted debe suministrar el gas y los cilindros de propano. Utilice este calentador sólo con sistemas de suministro de propano con dispositivo de recuperación de vapores. Consulte el capítulo 5 de la norma para el almacenamiento y la manipulación de gas licuado de petróleo, ANSI/NFPA 58. La biblioteca o el cuerpo de bomberos de su localidad deben tener este folleto.

⚠️ ADVERTENCIA: NUNCA DEJE DESATENDIDA LA CALENTADORA MIENTRAS ESTE ENCENDIDO O ESTE CONECTADA A UNA FUENTE ELÉCTRICO/ DE ALIMENTACIÓN, O CUANDO ESTE CONECTADA A UNA FUENTE DE COMBUSTIBLE.

IMPORTANTE INFORMACION SOBRE SEGURIDAD

1. Los niños deben mantenerse lejos.
2. Siempre mantenga las distancias de separación adecuadas de los materiales combustibles. Las distancias de separación mínimas deberán ser:
Lados – 61 cm, Parte superior – 91.4 cm; Frente – 183 cm.
3. El calentador debe colocarse en una base sólida y nivelada.
4. Nunca ponga nada en el calentador, incluyendo vestimentas u otros artículos inflamables.
5. No modifique el calentador ni utilice un calentador que haya sido modificado.
6. Será necesario mantener una separación adecuada para el acceso, la combustión y la ventilación (suministro de aire) en todo momento cuando el calentador está funcionando.
7. Todo trabajo de mantenimiento y reparación deberá ser realizado por un técnico de servicio calificado. El calentador deberá ser inspeccionado antes de cada uso y al menos anualmente por una persona calificada. Es posible que se requiera una limpieza más frecuente según sea necesario. No repare ni le dé mantenimiento al calentador mientras está caliente o funcionando.
8. Nunca conecte el calentador en una fuente de gas no regulada.
9. La conexión eléctrica y a tierra deberán cumplir con el Código Eléctrico Nacional (NEC), ANSI/NFPA 70.

INFORMACIÓN DE SEGURIDAD GENERAL

Utilice únicamente un receptáculo para tres (3) clavijas debidamente conectado a tierra.

10. Para prevenir herida, siempre lleva guantes cuando manejar calentadora. Nunca maneje ni operar una calentadora caliente, como quemaduras severas pueden resultar.
11. La instalación de su calentador deberá cumplir con todos los códigos locales y/o requisitos de la compañía de servicio de gas, o a falta de códigos locales, con el Código Nacional de Combustibles ANSI Z223.1.
12. Este calentador se envía de la fábrica para uso con gas LP (propano) únicamente. No lo convierta a ningún otro gas. La instalación deberá conformar con los códigos locales, o a falta de ellos, con la norma para el almacenamiento y la manipulación de gases de petróleo licuado ANSI/NFPA 58
13. Utilice únicamente el conjunto de regulador y manguera suministrado con este calentador. Inspeccione el conjunto del regulador y manguera antes de cada uso del calentador. Si está demasiado desgastado, o si la manguera está cortada, reemplace el conjunto con el conjunto correcto mostrado en la lista de partes, antes de usar el calentador.
14. Las conexiones de suministro de gas deben revisarse usando una solución de 50/50 de agua y jabón. Nunca use una llama para verificar la presencia de fugas de gas.
15. Sitúe el cilindro de propano al menos a 1.8 metros del calentador, y no oriente la descarga del calentador hacia el cilindro de gas a menos que éste se encuentre a una distancia de 6 metros del calentador.
16. La conexión eléctrica y a tierra deberán cumplir con el Código Eléctrico Nacional (NEC), ANSI/NFPA 70. Utilice únicamente un receptáculo para tres (3) clavijas debidamente conectado a tierra.
17. No obstruya las áreas de entrada y salida de aire del calentador.



ADVERTENCIA: NUNCA DEJE DESATENDIDA LA CALENTADORA MIENTRAS ESTE ENCENDIDO O ESTE CONECTADA A UNA FUENTE ELÉCTRICO/ DE ALIMENTACIÓN, O CUANDO ESTE CONECTADA A UNA FUENTE DE COMBUSTIBLE.

OPERACIÓN

RELLENO DEL TANQUE DE GAS PROPANO

TODO CILINDRO NUEVO DEBE PURGARSE ANTES DE LLENARLO POR PRIMERA VEZ.

⚠ LAS ACCIONES DE PURGA Y LLENADO DE LOS TANQUES DE LP DEBEN SER REALIZADAS POR PERSONAL QUE ESTÉ COMPLETAMENTE CAPACITADO EN LOS PROCEDIMIENTOS ACEPTADOS DE LA INDUSTRIA DE GAS LP. EL INCUMPLIMIENTO DE ESTAS INSTRUCCIONES PODRÍA RESULTAR EN EXPLOSIÓN, INCENDIO, LESIONES PERSONALES GRAVES O LA MUERTE.

1. Gire la perilla de la válvula de gas del calentador y la válvula del tanque de gas a la posición OFF (apagado).
2. Las válvulas de tanque de propano equipadas con un accesorio de estilo antiguo tienen ROSCAS DE MANO IZQUIERDA. Gire el accesorio HACIA LA DERECHA para aflojarlo. Proteja este accesorio cuando esté desconectado del tanque.
3. Haga que su distribuidor de gas propano le llene su tanque.

Temperatura (°C) en el tanque	MH-0060-LM10 20 or 100 lb cylinder	MH-150-LM10 100 lb. cylinder	MH-150-LMT0 100 lb. cylinder
0.0	1	2	2
-6.6	1	2	2
-12.2	1	3	3
-17.7	1	3	3
-23.3	2	Usar un tanque más grande	Usar un tanque más grande
-28.8	2	Usar un tanque más grande	Usar un tanque más grande

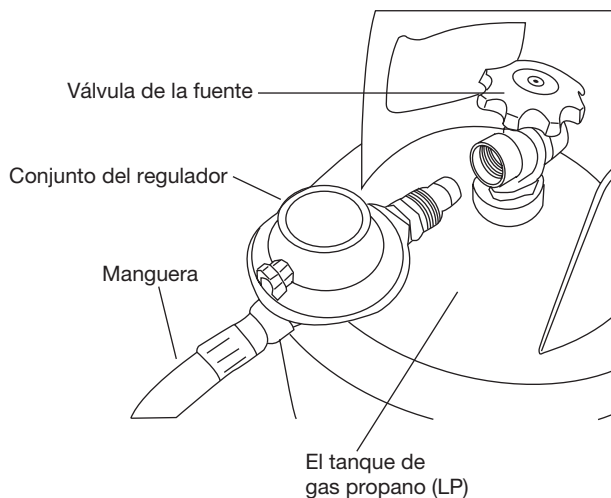
4. Algunos tanques de propano tienen una válvula de purga. Esta válvula deberá inspeccionarse para ver si tiene fugas después de cada vez que se llene el tanque. Gire la válvula hacia la derecha para cerrarla.
5. Sujete el tanque de propano lleno y conecte el accesorio adecuado en la válvula del tanque, girándolo HACIA LA IZQUIERDA.

⚠ ADVERTENCIA: NUNCA DEJE DESATENDIDA LA CALENTADORA MIENTRAS ESTE ENCENDIDO O ESTE CONECTADA A UNA FUENTE ELÉCTRICO/ DE ALIMENTACIÓN, O CUANDO ESTE CONECTADA A UNA FUENTE DE COMBUSTIBLE.

6. Con la perilla de la válvula de gas del calentador en la posición OFF (apagado), abra la válvula del tanque y revise para ver si hay fugas usando una solución de jabón.

⚠ EL PROPANO ES SEGURO PARA USAR CUANDO SE MANIPULA CORRECTAMENTE. LA MANIPULACIÓN NEGLIGENTE DEL TANQUE DE GAS PROPANO PODRÍA RESULTAR EN UN INCENDIO Y/O UNA EXPLOSIÓN. POR CONSIGUIENTE:

7. Siempre mantenga firmemente sujetado y en posición vertical el tanque o cilindro.
8. Evite inclinar el tanque hacia un lado cuando esté conectado a un regulador, ya que eso podría causar daño al diafragma en el regulador.
9. Trate las válvulas con cuidado.
10. Nunca conecte un tanque de propano no regulado en un calentador para construcción.
11. No someta el tanque de propano a un calor excesivo.
12. Cierre firmemente la válvula de cierre de gas en el tanque de propano después de cada uso.
13. Todos los accesorios deben protegerse cuando están desconectados del tanque de LP.
14. Nunca almacene un tanque de gas propano dentro de un edificio o cerca de cualquier aparato que queme gas.



OPERACIÓN

⚠ EL TANQUE DESCONECTADO NUNCA DEBE ALMACENARSE EN UN EDIFICIO, GARAJE O CUALQUIER OTRA ÁREA CERRADA.

15. No restrinja la entrada ni salida de calentadora. Nunca usa la calentadora con sistema de ventilación de escape.

INSPECCIÓN DE FUGAS

Revise todas las conexiones con una solución de 50/50 de agua y jabón para asegurarse que estén bien apretadas y herméticas. Si burbujas parecen, hay una filtración. Si una filtración es encontrada, la vuelta del suministro llame al Servicio de atención al cliente Mi-T-M en 800-553-9053.

La instalación de su calentador deberá cumplir con todos los códigos locales y/o requisitos de la compañía de servicio de gas, o a falta de códigos locales, con el Código Nacional de Combustibles ANSI Z223.1.

Las distancias mínimas de separación de materiales de construcción combustibles mostradas en la Página 3 deberán mantenerse en todo momento.

VENTILACION

El riesgo de contaminación atmosférica interior. Solo utilice la calentadora en áreas con bien ventiladas. Siempre proporcione un aire fresco que abre en el espacio calentado de por lo menos tres pies cuadrados (2.800 cuadrado cm) para cada 100.000 BTU/HORA. de salida de calentadora. Proporcione una apertura más grande si hay más calentadoras son utilizadas. Por un ejemplo, un AC-215 calentadora requerirá:

- una puerta del garaje de dos-coches que abre 6 pulgadas,
- o un garaje de un coche abre 9 pulgadas,
- o dos ventanas que son treinta y dos pulgadas y abren quince pulgadas.

⚠ ADVERTENCIA: NUNCA DEJE DESATENDIDA LA CALENTADORA MIENTRAS ESTE ENCENDIDO O ESTE CONECTADA A UNA FUENTE ELÉCTRICO/ DE ALIMENTACIÓN, O CUANDO ESTE CONECTADA A UNA FUENTE DE COMBUSTIBLE.

INSTRUCCIONES DE ENCENDIDO (MH-0060-LM10, MH-0150-LM10)

1. Conecte el cordón de alimentación en un cable de extensión de tres (3) clavijas, de 120V, 60 Hz, debidamente conectado a tierra. Requisitos de tamaño de conductor del cordón de extensión:
 - 1.8 a 3 metros (6 a 10 pies) de largo, utilice un conductor 18 AWG.
 - 3.4 a 30.5 metros (11 a 100 pies) de largo, utilice un conductor 16 AWG.
 - 30.8 a 61 metros (101 a 200 pies) de largo, utilice un conductor 14 AWG.
2. Conecte el calentador a un cilindro LP adecuado.
3. Gire la válvula de gas hacia la derecha a la posición OFF (apagado).
4. Espere cinco (5) minutos para que el gas presente se disipe. Use el olfato para oler gas; si no huele gas, proceda al Paso 5.
5. Empuje hacia adentro la perilla de control del gas y gírela hacia la izquierda a la posición LOW/IGN (Bajo/ Ign). Esto encenderá el quemador. Si es necesario, mantenga presionada la perilla de control del gas hasta que el quemador se encienda y continúe presionando y girando de OFF a LOW/IGN en los modelos de chispa piezoeléctrica (HIGH/IGN en el Modelo PT-40- GFA-A).
6. Mantenga la perilla de la válvula presionada por espacio de 30 segundos luego de que se encienda el quemador. Luego de transcurridos 30 segundos, suelte la perilla de la válvula.
7. Si el quemador se apaga, repita el procedimiento de encendido.
8. Cuando el quemador permanezca encendido, gire la perilla de la válvula de gas hacia la izquierda hasta el ajuste deseado

INSTRUCCIONES DE ENCENDIDO (MH-0150-LMT0)

La teoría de operación para el termostato 150T es el poder entrante es controlado por el termostato, que utiliza un detector de temperatura de resistencia (RTD) abrir y cerrar un circuito para apagar el poder entrante al tablero de circuitos. El tablero de circuitos controla una válvula de solenoide para controlar el flujo de gas

OPERATION

a la boca y el poder al ventilador. Esto es posible para esta calentadora porque no utiliza un termopar para rectificar presencia de llama. La presencia de la llama es rectificada por el igniter.

1. Siga todas instrucciones de seguridad, de instalación y ventilación en este manual.
2. Posicione la calentadora en una superficie de establo y nivel, y esté seguro que ningunos giros soplan en la cala ni la salida de la calentadora.
3. Tape el cable de alimentación de la calentadora en un tres asidero molió alargador. Está seguro que el alargador es por lo menos 6 pies de largo, y es de un listó de UL.

Hasta 50 pies de largo, usa un cuerda de valor de 18 AWG.

51 a 100 pies de largo, usa cuerda de valor de 16 AWG.

101 a 200 pies de largo, usa cuerda de valor de 14 AWG.

4. Siguiendo los requisitos de alargador, tapan el alargador en una salida de tierra de tres asidero con 120 voltio/60 herts.
5. Abra lentamente la válvula de suministro de combustible.
6. Gire interruptor a la posición de ON/OFF. Fije al termostato a la temperatura deseada. La colocación del termostato puede ser demasiado baja si calentadora no comienza. Seleccione una temperatura de mas alta y comience la calentadora.

⚠️ ADVERTENCIA: NUNCA DEJE DESATENDIDA LA CALENTADORA MIENTRAS ESTE ENCENDIDO O ESTE CONECTADA A UNA FUENTE ELÉCTRICO/ DE ALIMENTACIÓN, O CUANDO ESTE CONECTADA A UNA FUENTE DE COMBUSTIBLE.

INSTRUCCIONES DE APAGADO

Para apagar el calentador:

1. Gire la perilla de la válvula de gas hacia la derecha a la posición OFF (apagado).
2. Gire hacia la derecha la válvula del tanque de propano para cerrar la válvula y cortar el suministro de gas.
3. Desconecte el cordón de alimentación eléctrica.

INTENTE ENCENDER EL CALENTADOR

Intente encender su calentador para construcción de acuerdo con las instrucciones de encendido aplicables al sistema de control de gas empleado.

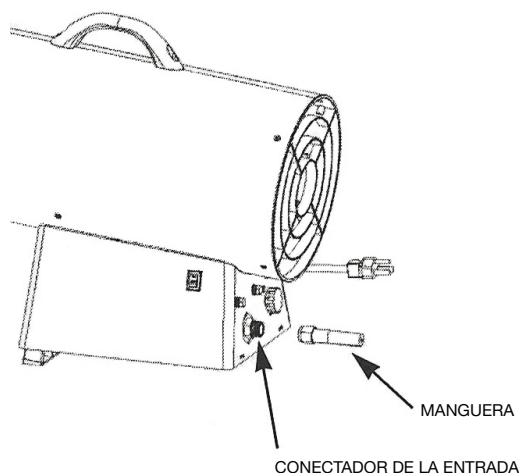
Someta todas las conexiones de gas a una prueba de fugas con una solución de 50/50 de agua y jabón antes de encender el calentador. Las burbujas de jabón indican que hay una fuga de gas. NUNCA use un fósforo o una llama para comprobar si hay fugas.

AVISO: La temperatura de la superficie del calentador deberá estar fría antes de almacenar el calentador o iniciar el mantenimiento o la limpieza del mismo.

ALMACENAMIENTO

Nunca almacene un tanque de gas propano dentro de un edificio o cerca de cualquier aparato que queme gas o aceite. Cuando el tanque de propano no se desconecta del calentador para uso en tareas de construcción, el tanque de gas y el calentador deben almacenarse afuera en un área bien ventilada y fuera del alcance de los niños. Si por cualquier razón ha de almacenarse el calentador en un lugar interior, el tanque, primero se debe desconectar y desmontar del conjunto de la base del calentador y almacenar en un área exterior bien ventilada y fuera del alcance de los niños, de acuerdo con la más reciente edición de la Norma para el almacenamiento y la manipulación de gases de petróleo licuado ANSI/NFPA 58. El tapón de plástico de la válvula del tanque suministrado con su tanque deberá estar firmemente instalado cuando el tanque esté desconectado del calentador.

AVISO: Todo trabajo de instalación y reparación deberá ser realizado por un técnico de servicio calificado.



MANTENIMIENTO

MANTENIMIENTO Y ALMACENAMIENTO

Examine el calentador antes de usar. Verifique la presencia de fugas en todas las conexiones siguiendo el procedimiento descrito en las páginas 4 y 5. Compruebe que la manguera del regulador no esté agrietada, rota ni desgastada. Si está dañada, reemplace la manguera por el repuesto indicado por el fabricante.

Después de usar, desconecte siempre el calentador del cilindro y guarde el calentador aparte del tanque. Asegúrese de cerrar la válvula del tanque después de usar y antes de guardar.

Guarde siempre el cilindro de propano afuera, pero no en un recinto cerrado. Nunca guarde el cilindro cerca de fuentes térmicas o llamas vivas ni donde reciba directamente la luz del sol. Nunca guarde el cilindro dentro de la edificación. El cilindro debe guardarse afuera de acuerdo con el capítulo 5 de la norma para el almacenamiento y la manipulación de gas licuado de petróleo (ANSI/INFP 58).

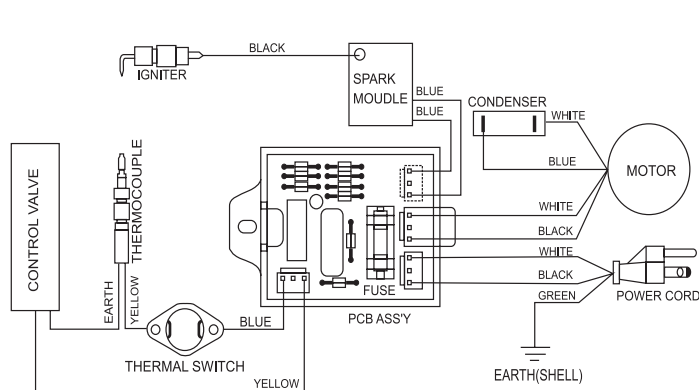
Mantenga siempre limpio el calentador, por fuera y por dentro.

Haga examinar el calentador por un técnico calificado una vez al año.

Cuando vaya a guardar la unidad por el resto de la temporada, tape los conectores con las cubiertas de plástico que acompañaban al calentador.

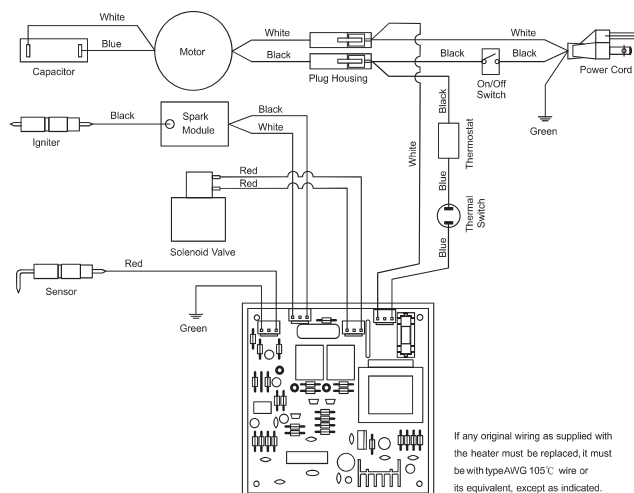
Guarde siempre el calentador en un lugar limpio, seco y seguro.

⚠️ ADVERTENCIA: NUNCA DEJE DESATENDIDA LA CALENTADORA MIENTRAS ESTE ENCENDIDO O ESTE CONECTADA A UNA FUENTE ELÉCTRICO/ DE ALIMENTACIÓN, O CUANDO ESTE CONECTADA A UNA FUENTE DE COMBUSTIBLE.



If any original wiring as supplied with the heater must be replaced, it must be with type AWG 105°C wire or its equivalent, except as indicated.

MH-0060-LM10, MH-0150-LM10



If any original wiring as supplied with the heater must be replaced, it must be with type AWG 105°C wire or its equivalent, except as indicated.

MH-0150-LMTO

SÍNTOMA	LOCALIZACION DE FALLAS CAUSA(S) POSIBLE(S)	MEDIDA CORRECTIVA
El ventilador no gira cuando se le conecta la energía eléctrica	<ol style="list-style-type: none"> 1. El calentador no recibe alimentación eléctrica. 2. El aspa del ventilador hace contacto con la parte interior del alojamiento del calentador 3. El aspa(s) del ventilador está doblada 4. El motor del ventilador está defectuoso 	<ol style="list-style-type: none"> 1. Verifique la corriente en el tomacorriente. Si el voltaje es correcto, inspeccione el cordón de alimentación para ver si está cortado o está roto 2. Asegúrese que el alojamiento no esté dañado. Asegúrese que el ventilador no esté obstruido 3. Enderece el aspa(s) para que quede como las otras 4. Reemplace el motor
El calentador no se enciende	<ol style="list-style-type: none"> 1. No hay chispa en el encendedor 2. Separación de chispa incorrecta 3. Electrodo dañado 	<ol style="list-style-type: none"> 1. Inspeccione el conductor del encendedor. Reconéctelo o apriételo si está suelto. Revise el módulo de chispa. Reemplace según sea necesario. Revise todos los componentes eléctricos 2. Ajuste la separación a 4.1 mm (0.16 pulg.) 3. Reemplace la bujía
El calentador se apaga cuando está funcionando	<ol style="list-style-type: none"> 1. La temperatura interior es demasiado alta y causa que el interruptor limitador apague la unidad 2. Válvula de control dañada 3. Hay polvo o restos de material acumulados dentro del calentador 	<ol style="list-style-type: none"> 1. Si se restringe la salida del calentador, la temperatura interior sube demasiado. Mueva el calentador lejos de toda obstrucción 2. Reemplace la válvula de control 3. Limpie el interior del calentador



GARANTIA LIMITADA

Garantía limitada de protemp. Por un año. Mi-T-M le garantiza al Usuario original que los modelos tratados en este manual de los calentadores de aceite portátiles Protemp® están libres de defectos en la mano de obra o el material, cuando se les somete a uso Normal, por un año a partir de la fecha de compra. Cualquier parte que se halle defectuosa, ya sea en el material o en la mano de obra, y sea devuelta (con los costos de envío pagados por Adelantado) a un centro de servicio autorizado designado por Mi-T-M, será reparada o reemplazada (no Existe otra posibilidad) según lo determine Mi-T-M. Para obtener información sobre los procedimientos De reclamo cubiertos en la garantía limitada, vea la sección "atención oportuna" que aparece más Adelante. Esta garantía limitada confiere al comprador derechos legales específicos que varían de Jurisdicción a jurisdicción. No incluye artículos de uso: filtros, las veletas, las boquillas y los rotores.

Limites de responsabilidad. En la medida en que las leyes aplicables lo permitan, la responsabilidad De Mi-T-M por los daños emergentes o incidentales esta expresamente excluida. La responsabilidad de Mi-T-M expresamente esta limitada y no puede exceder el precio de compra pagado por el artículo. Exclusion de responsabilidad de la garantía. Se han hecho esfuerzos diligentes para proporcionar Información e ilustraciones apropiadas sobre el producto en este manual; sin embargo, esta Información y las ilustraciones tienen como unico proposito la identificación del producto y no EX-PRESAN NI IMPLICAN GARANTIA DE QUE LOS PRODUCTOS SEAN VENDIBLES O ADECUADOS PARA UN PROPOSITO EN PARTICULAR NI QUE SE AJUSTAN NECESARIAMENTE A LAS ILUSTRACIONES O DESCRIPCIONES O DESCRIPCIONES. CON EXCEPCION DE LO QUE SE ESTABLECE A CONTINUACION, Mi-T-M NO HACE NI AUTORIZA NINGUNA GARANTIA O AFIRMACION DE HECHO, EXPRESA O IMPLICITA, QUE NO SEA ESTIPULADA EN LA "GARANTIA LIMITADA" ANTERIOR. Consejo Técnico y Recomendaciones, Exclusiones de Responsabilidad. A pesar de las prácticas, negociaciones o usos comerciales realizados previamente, las ventas no deberán incluir el suministro de consejo técnico o asistencia o diseño del sistema. Mi-T-M no asume ninguna obligación o responsabilidad por recomendaciones, opiniones o consejos no autorizados sobre la elección, instalación o uso de los productos. Adaptación del Producto. Muchas jurisdicciones tienen códigos o regulaciones que rigen la venta, la construcción, la instalación y/o el uso de productos para ciertos propósitos que pueden variar con respecto a los aplicables a las zonas vecinas. Si bien se trata de que los productos Mi-T-M cumplan con dichos códigos, no se puede garantizar su conformidad y no se puede hacer responsable por la forma en que se instale o use su producto. Antes de comprar y usar el producto, revise su aplicación y todos los códigos y regulaciones nacionales y locales aplicables y asegúrese de que el producto, la instalación y el uso los cumplan. Ciertos aspectos de limitación de responsabilidad no se aplican a productos al consumidor; es decir (a) algunas jurisdicciones no permiten la exclusión ni limitación de daños incidentales o consecuentes, de modo que las limitaciones o exclusiones anteriores quizás no apliquen en su caso; (b) asimismo, algunas jurisdicciones no permiten limitar el plazo de una garantía implícita, por lo tanto, la limitación anterior quizás no aplique en su caso; y (c) por ley, mientras la Garantía Limitada esté vigente no podrán excluirse ni limitarse en modo alguno ninguna garantía implícita de comercialización o de idoneidad para un propósito en particular aplicables a los productos al consumidor adquiridos por éste. Atención Oportuna. Se hará un esfuerzo de buena fe para corregir puntualmente, o hacer otros ajustes, con respecto a cualquier producto que resulte defectuoso dentro de los términos de esta garantía limitada. En el caso de que encuentre un producto defectuoso y que esté cubierto dentro de los límites de esta garantía haga el favor de escribir primero, o llame, al distribuidor a quien le compró el producto. El distribuidor le dará las instrucciones adicionales. Si no puede resolver el problema en forma satisfactoria, escriba a Mi-T-M a la dirección a continuación, dando el nombre del distribuidor, su dirección, la fecha y el número de la factura del distribuidor y describa la naturaleza del defecto. La propiedad del artículo y el riesgo de pérdida pasan al comprador en el momento de la entrega del artículo a la compañía de transporte. Si el producto se daña durante el transporte, debe presentar su reclamo a la compañía transportista.

For Service or Warranty Consideration, contact
Mi-T-M® Corporation, 8650 Enterprise Drive, Peosta, IA 52068
563-556-7484 / 800-553-9053 / Fax 563-556-1235
Monday - Friday 8:00 a.m. - 5:00 p.m. CST



Always follow manufacturer instructions

Manufactured by Mi-T-M
8650 Enterprise Drive, Peosta IA 52068
563-556-7484/ Fax 563-556-1235